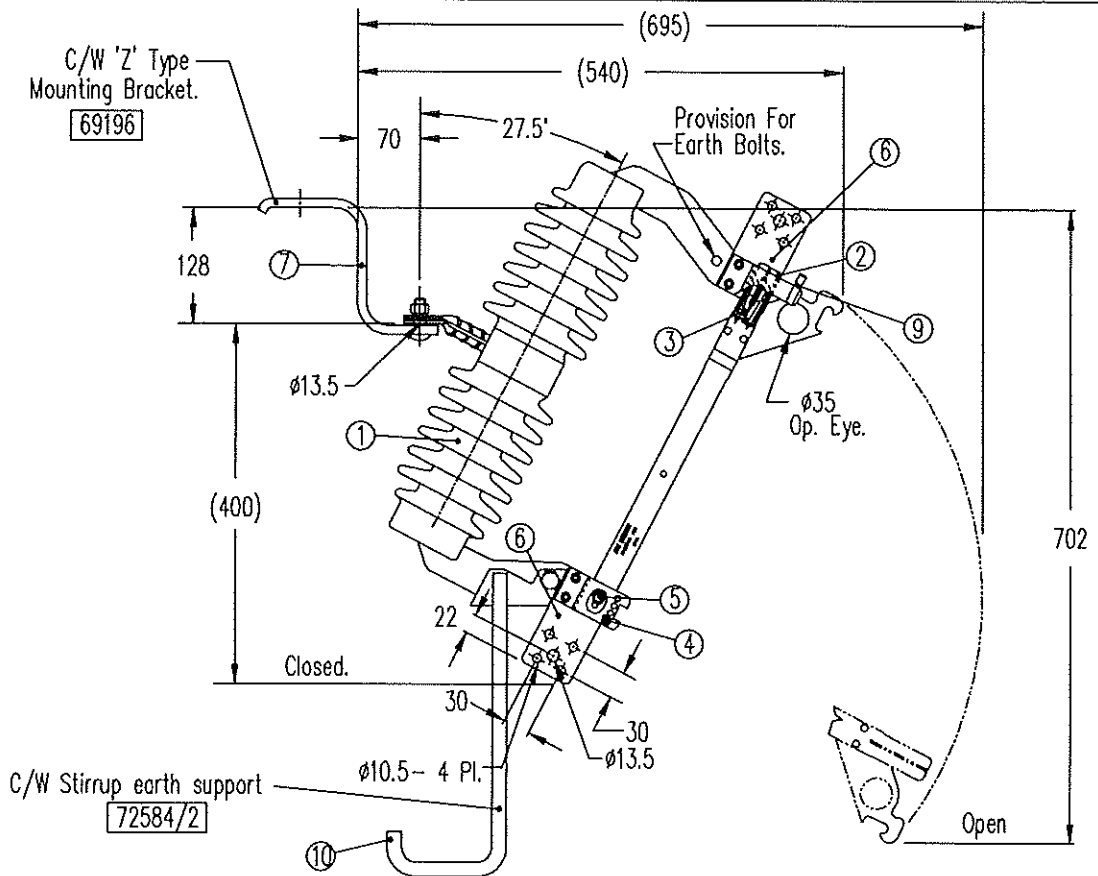


SHEET A4



Notes:-

- 1). Insulator. : Inherently puncture proof & birdproof. Colour : Light Grey.
- 2). Silver to silver front contacts.
- 3). Front contact pressure assured via stainless steel 'Lyre' springs.
- 4). Optional :- 90° or 60° Removable Stop.
- 5). Hinge Joint: Silver washers with constant pressure 'Belleville' washers.
- 6). Multi-purpose terminal palm, for compression lugs or cable clamps. Refer Price List for cable clamp kits available.
- 7). X-Arm Mounting Kit.: 69196 supplied
- 8). All parts (3mm or less) manufactured from non-ferrous or stainless material, for max. corrosion protection.
- 9). Loadbreak Hooks provided.
- 10). Earthing Stirrup 72584-2 supplied loose in carton.

Technical Data

Applicable Standard.: AS 1025

A) Ratings		U =		kV.		B) Clearance Distances		Ls =	
Rated Voltage. (max.)		24		36		Creepage.		600 mm	
Nominal Voltage		Vn =		22		Protected Creepage.		Lsp =	
Insulation Level		B.I.L		170 kV.		Dry Arcing Distance		170 mm	
Max. Rated Normal Current.		In =		630 A		C). Temperature Rise. Contacts.		La =	
Rated Frequency.		Im =		50 Hz.		Terminals.		250 mm	
Rated Making Capacity.		Ibr =		20 kA.		D). Dielectric Test Voltage.		32 °C	
Rated Breaking Capacity		Isc =		20 kA.		Terminal To Earth : 50 Hz. Dry W/Stand.		32 °C	
Rated Short - Time Current 1s		P =		20		50 Hz. Wet W/Stand.		70 kV	
Pollution Performance No.		E.S.A.A. Med. Rainfall.		5.9		1.2 x 50 Impulse W/Stand.		170 kVp.	
		High		4.8		Terminal To Terminal : 50 Hz. Dry W/Stand.		80 kV	
		Low		8		50 Hz. Wet W/Stand.		80 kV	
		E.C.N.S.W.		6.3		1.2 x 50 Impulse W/Stand.		195 kVp.	
		S.E.C.W.A.		9.7		E). Weight. Net		13.5 kg	
Ls/Vn		mm/kV		27.3				C.E. Stock No. 404240	
				18.2					

This document is the property of NGK STANGER P/L and must not be copied or reproduced without its written permission nor disclosed to any third party.

SCALE	1 : 8
DRN.	S. dea
CH'D.	S. dea
APP'D.	[Signature]
ISSUED	16-9-05

**C - Type.**

**24/36 kV. Single Pole Isolating Link.**

**Single X-Arm Or Direct To Pole. 27.5° Mntg.**

COUNTRY ENERGY

 <b>Quality Endorsed Company</b> <small>AS/NZS ISO 9001:2000 Licence Number 368 Standards Australia</small>	 <b>NGK STANGER</b> <small>NGK STANGER Pty. Ltd. A.B.N. 89 004 225 012 MELBOURNE AUSTRALIA</small>	
	SIZE	DRAWING No.
A4	70423/2CE	ISSUE
		1

a = 24.5mm b = 27.5mm