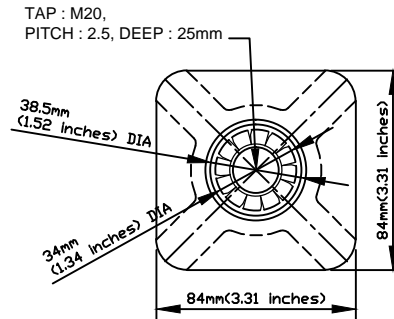
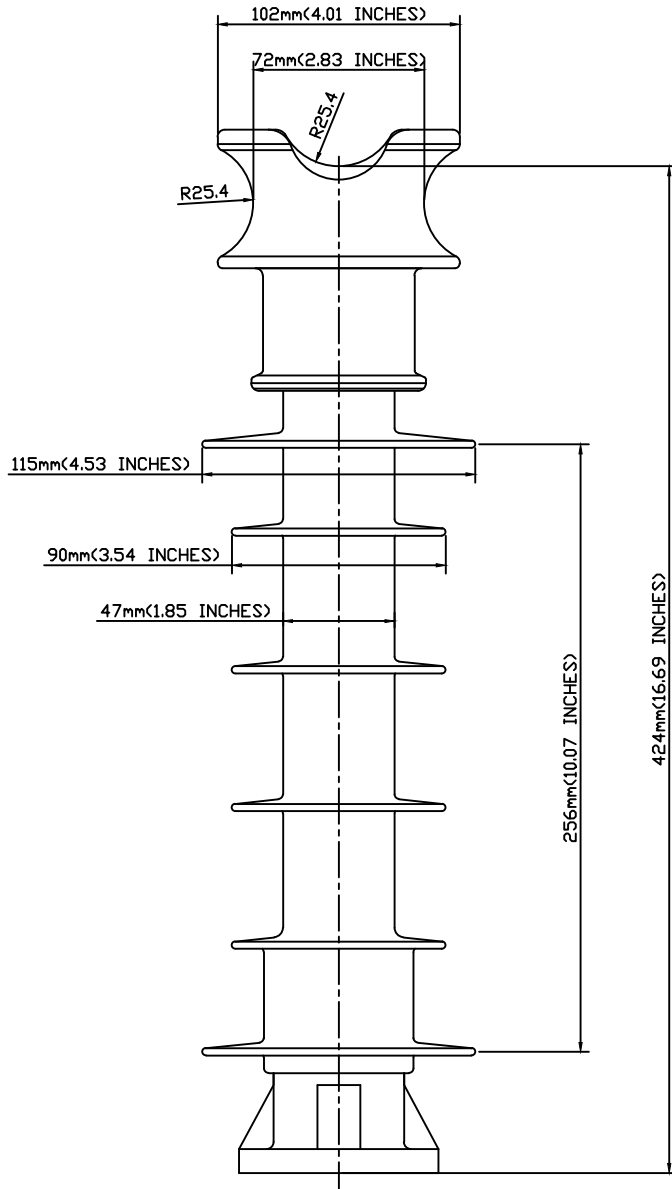


CATALOG NO. LPFN-25SK-M20

| NO. | DESCRIPTION | DWG. NO. | MATERIAL | Q'TY | FINISH/SIZE | NOTE |
|-----|-------------|----------|----------|------|-------------|------|
| | | | | | | |
| | | | | | | |
| | | | | | | |



NOTE:

1. TOP END FITTING IS MADE FROM GRAVITY CASTING ALUMINUM ALLOY & ANODIZED.
2. BASE END FITTING IS MADE FROM CARBON STEEL FORGED & GALVANIZED.
3. FIBERGLASS ROD IS MADE FROM EPOXY RESIN.
4. CLAMP AND STUD BASE DIMENSIONS ARE IN ACCORDANCE WITH ANSI C29.18.
5. THE DIA. OF FRP ROD IS 40mm(1.57inches) SOLID.
6. BASE AND INSULATOR ASSEMBLED WITH M20 BOLT AND WASHER.
7. THE TOLERANCE ON ALL DIMENSIONS SHALL BE AS FOLLOWS:

±(0.04d+1.5)mm when d<300mm

±(0.025d+6)mm when d>300mm with a maximum of 50mm

DIMENSIONS

| | |
|---------------------|----------------------|
| LEAKAGE DISTANCE | 551 mm(21.69 inches) |
| DRY ARCING DISTANCE | 313 mm(12.32 inches) |
| SHEDS Q'TY | 6 PCS |

MECHANICAL VALUES

| | |
|-----------------------------|-------------------|
| SPECIFIED CANTILEVER LOAD | 12.5 kN(2,800 LB) |
| Max. DESIGN CANTILEVER LOAD | 6 kN(1,350 LB) |
| TENSILE STRENGTH | 22 kN(5,000 LB) |

ELECTRICAL VALUES

| | |
|-------------------------|--------|
| Low-Freq. FLASHOVER-DRY | 122 kV |
| Low-Freq. FLASHOVER-WET | 103 kV |
| IMPULSE FLASHOVER-POS | 208 kV |
| IMPULSE FLASHOVER-NEG | 271 kV |

RADIO INFLUENCE VOLTAGE DATA

| | |
|------------------------|--------|
| 60 Hz TEST VOLTAGE | 15 kV |
| MAXIMUM RIV @ 1,000kHz | 100 uV |

PACKING INFORMATION

| | |
|-------------------------|--------|
| NET WEIGHT EACH | 7.8 kg |
| NO. IN STANDARD PACKAGE | 4 PCS |

| NO. | DATE | REVISIONS | DESIGNED | APPROVED | REMARKS | DRAWN BY | DESIGNED BY | CHECKED BY | APPROVED BY | SCALE | DATE | NAME | REF. NO. | SHEET NO |
|-----|------------|-----------------|----------|----------|---------|-------------|-------------|------------|-------------|-------|------|----------|--|----------|
| 3 | | | | | | J.H.PARK | | | C.H.PARK | 1/1 | | | LINE POST INSULATOR FOR TRANSMISSION 25kV TIE TOP F-NECK LP INSULATOR | |
| 2 | | | | | | FEB.21.2017 | | | FEB.21.2017 | 1/1 | | REF. NO. | | |
| 1/R | 02/21/2017 | INITIAL RELEASE | J.H.PARK | C.H.PARK | | | | | | | | DWG.NO. | LPFN-25SK-M20 | |
| NO. | DATE | REVISIONS | DESIGNED | APPROVED | REMARKS | | | | | | | | | |