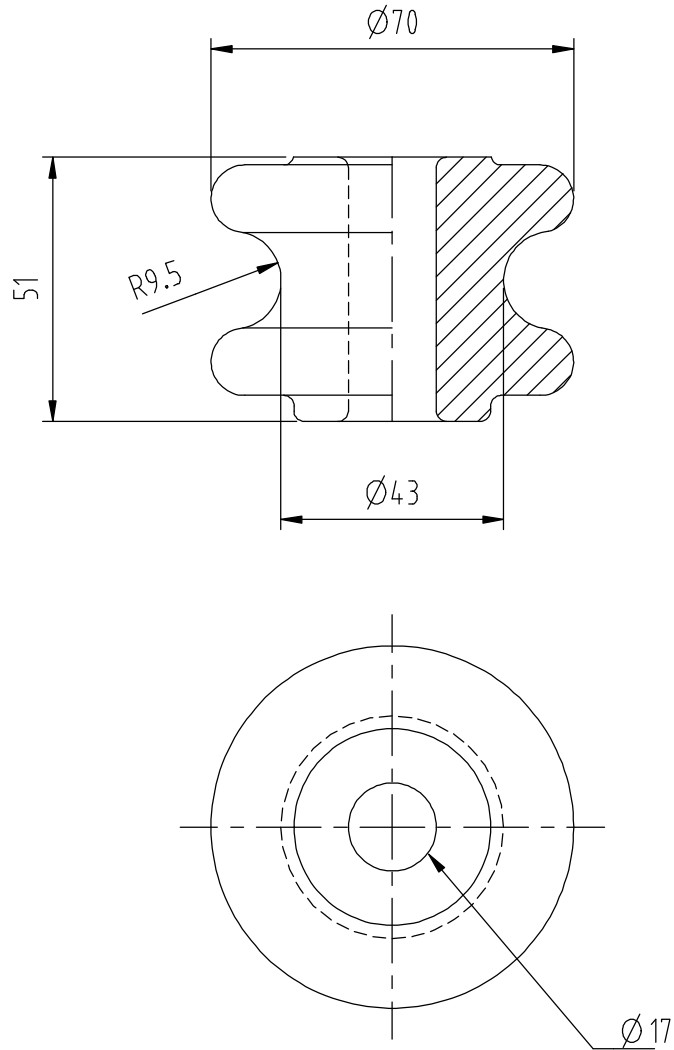


ALL DIMENSIONS IN MILLIMETRES - DO NOT SCALE - IF IN DOUBT ASK



Technical Specification

	DESIGNED VALUES
Line voltage	650 Volts
Power Frequency flashover voltage - dry	10 kV
Power Frequency flashover voltage - wet	5 kV
Designed loading	5.5 kN

Drawn J. Bain
Date 15.3.1996



NZ Insulators Ltd.

New Zealand Insulators Ltd.
Tel: +64-3-615 0085
Fax: +64-3-615 8125
e-mail: sales@nzinsulators.co.nz



FIRST ANGLE PROJECTION

Cat. N°. 220
LOW VOLTAGE REEL INSULATOR

S1332/B

Issue	Mod. No.	Date