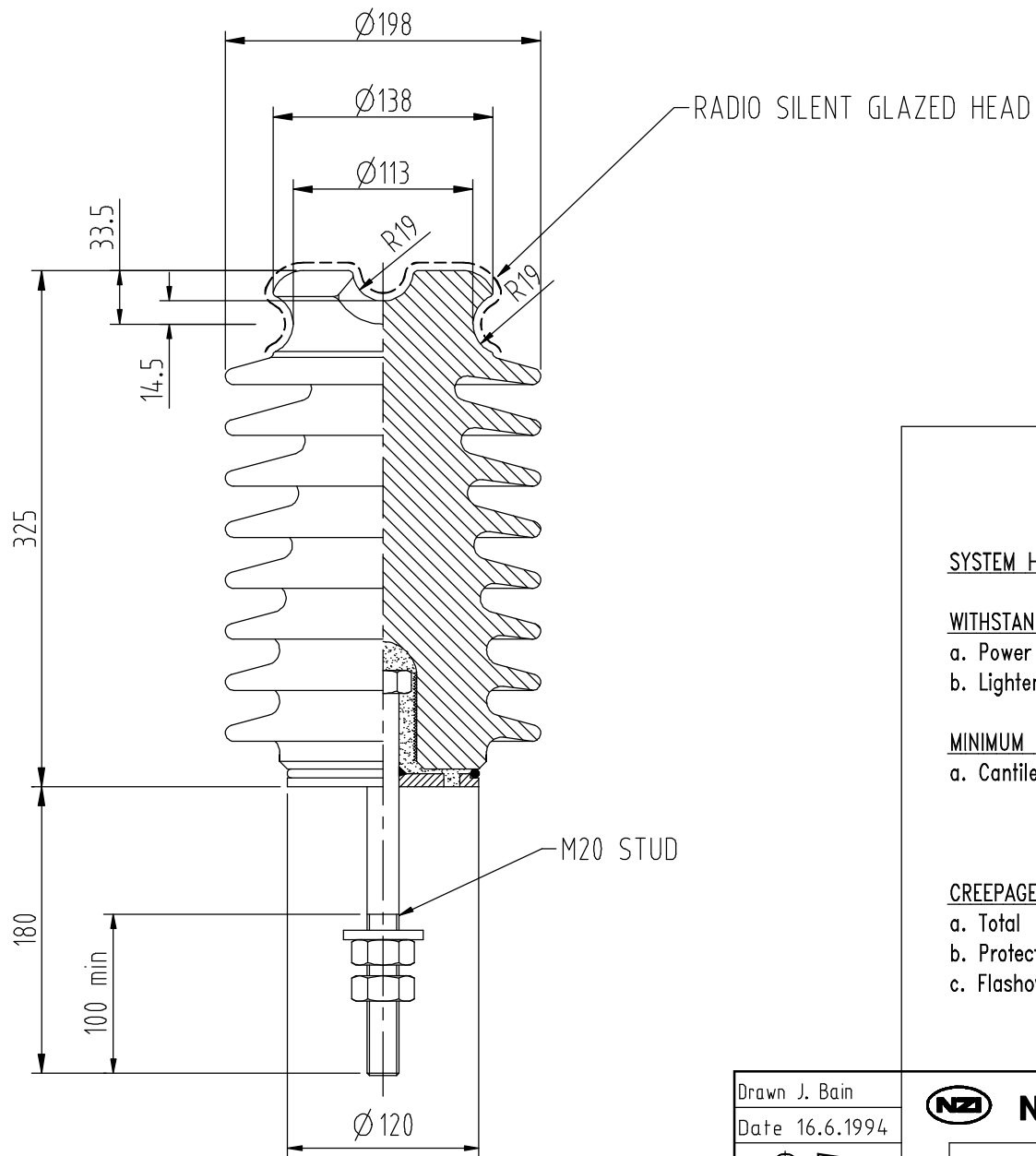


ALL DIMENSIONS IN MILLIMETRES - DO NOT SCALE - IF IN DOUBT ASK



Technical Specification

| | DESIGNED VALUES |
|---------------------------------------|-----------------|
| <u>SYSTEM HIGHEST VOLTAGE</u> | 45 kV |
| <u>WITHSTAND TEST VOLTAGES</u> | |
| a. Power frequency - wet | 90 kV |
| b. Lightning impulse - dry (negative) | 200 kV |
| <u>MINIMUM FAILING LOADS</u> | |
| a. Cantilever | 10 kN |
| <u>CREEPAGE DISTANCES</u> | |
| a. Total | 780 mm |
| b. Protected | 275 mm |
| c. Flashover | 290 mm |

| Issue | Mod. No. | Date |
|-------|----------|---------|
| D | 1901 | 19.4.91 |
| C | 1882 | 28.2.95 |
| B | 1852 | 31.8.94 |

Drawn J. Bain
Date 16.6.1994



NZ Insulators Ltd.

New Zealand Insulators Ltd.
Tel: +64-3-615 0085
Fax: +64-3-615 8125
e-mail: sales@nzinsulators.co.nz



FIRST ANGLE PROJECTION

Cat. N°. 44/780
44kV FIXED PIN LINE POST INSULATOR

D632-0537/D