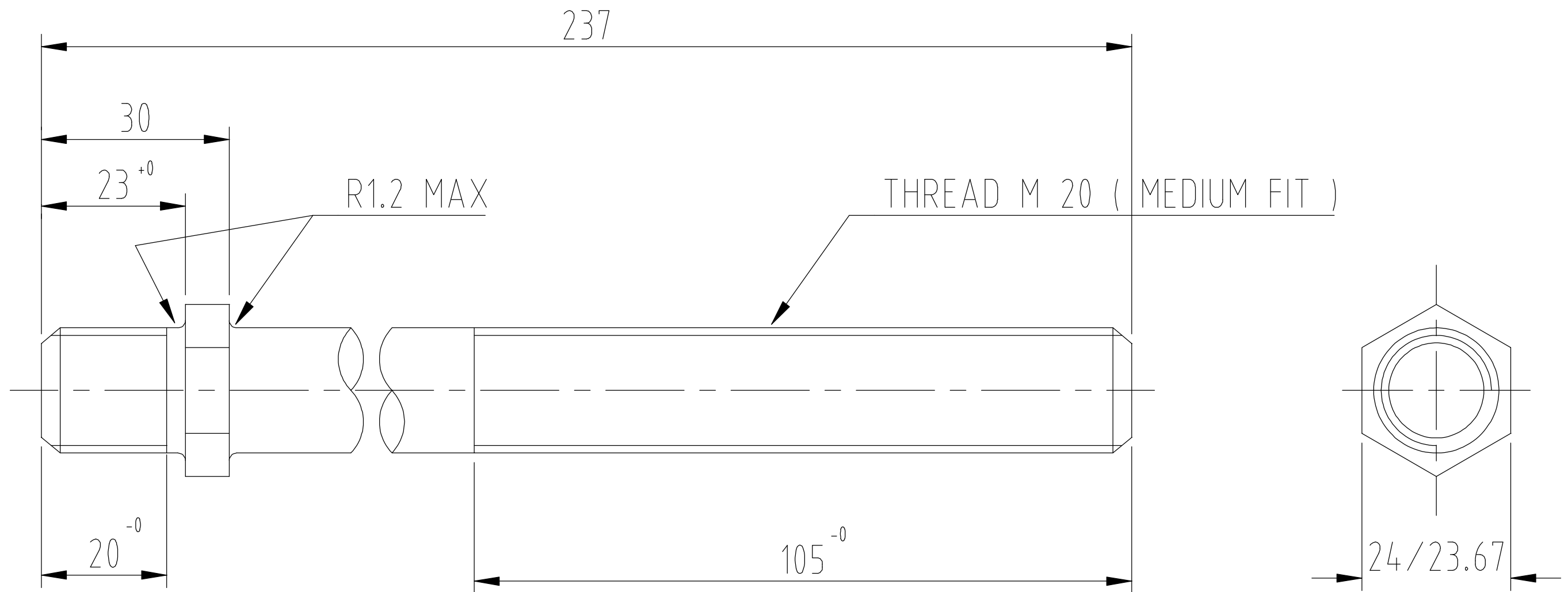


ALL DIMENSIONS IN MILLIMETRES – DO NOT SCALE – IF IN DOUBT ASK



TO BE SUPPLIED C/WITH:      461598  
 2 HDG HEX FULL NUTS          463434  
 1 HDG FLAT WASHER            461781

			Drawn J.Bain	<b>NZI NZ Insulators Ltd.</b>	New Zealand Insulators Ltd. Tel: +64-3-615 0085 Fax: +64-3-615 8125 e-mail: sales@nzinsulators.co.nz
			Date 19.12.1985		
			Material GRADE 4.6 STEEL	FIRST ANGLE PROJECTION	LINE POST STUD M20 x 205 ( 105 THREADED )
			Finish HOT DIP GALVANIZED		
B	2101	25.8.97	Tolerance - unless otherwise noted ± 1.0	D330-2059/B	
Issue	Mod.N°	Date	Casting Drg.N° _____ EDP N° 461393		