

9.0

Fuses & Holders – Low & High Voltage

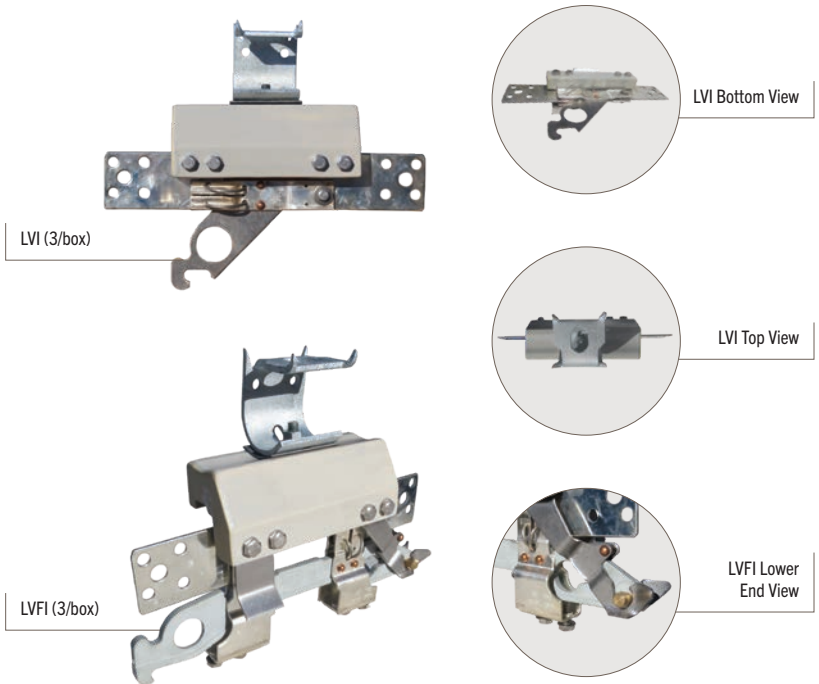


Bussmann
by **FAT-N**



NGK STANGER





9.3

Solid Link LVI & Fused Link LVFI Isolators

Brand: NGK-S | Origin: Australia

Part Number	Description	Rated	Current	Contacts	Standard	Weight	Box/Pallet	Drawing
Single Solid Link LVI								
258377	Low Voltage Isolator	480V	630A	Silver M12	AS175-1975	2.5kg	3	NZ4284
Single Fused Link LVFI								
258385	Low Voltage Fused Isolator	480V	630A	Silver M12	AS175-1975	3.3kg	3	NZ4286

NGK STANGER FSD Disconnects



FSD Three & Single Phase DIN Fuse Disconnects – AS/NZS 3947-1

Brand: NGK-S | Origin: Australia

Part Number	Description	Rated	Amps	Fits	Terminations	Weight	Box Qty	Drawing
9.3 FSD 160A Disconnects								
539252	FSD160 Single Phase	415V	160A	NH00	IPC/IPC 6-95mm ²	1.0kg	1	71932
539260	Bracket for 3 x FSD160	415V				1.7kg	1	72485/2
FSD 250A Disconnects								
539279	FSD250 Three Phase + Bracket	415V	250A	NH1&2	IPC/IPC 6-95mm ²	6.0kg	1	72477/1
FSD 400A Disconnects								
468908	FSD400 Three Phase + Bracket	415V	400A	NH1&2	4.76mm T/Palms	6.0kg	1	71969/5
468916	FSD401 Single Phase	415V	400A	NH1,2&3	4.76mm T/Palms	2.0kg	1	73401/5
469106	Bracket for 3 x FSD401	415V				1.7kg	1	72923
FSD 630A Disconnect								
468819	FSD631 Single Phase	415V	630A	NH2&3	6.35mm T/Palms	2.0kg	1	73631/5

12.0

HV Switch, Disconnects & Service



NGK STANGER

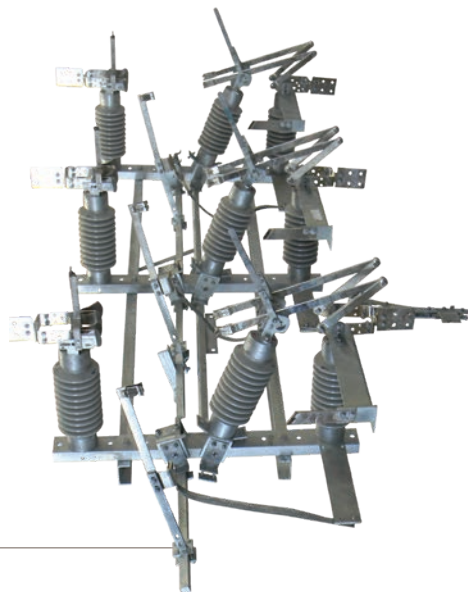


DTR



LONG
CONTROLS LTD
SWITCHGEAR ENGINEERS

NGK STANGER Air Break Switches



PR3

Manual PR3 Air Break Switches

Brand: NGK-S | Origin: Australia

Part Number	Description	Rating	Current	BIL	Rate S/T Current	Standard	Drawing
Manual Flicker Style Air Break Switches							
539139	12kV PR3 Vert/Hor	12kV	630A	150kV	20kA@1sec	AS/NZS ISO 9001:2008	69118
539147	24kV PR3 Vert/Hor	24kV	630A	150kV	16kA@1sec	AS/NZS ISO 9001:2008	69119
539155	36kV PR3 Vert/Hor	36kV	630A	200kV	20kA@1sec	AS/NZS ISO 9001:2008	69120

Optional Accessories for NGK-S ABS

NGK-S ABS Earth Switch (24&36kV only)

NGK-S ABS Dropout Fuse Mount

NGK-S ABS Crossarm

NGK-S ABS Operating Handle

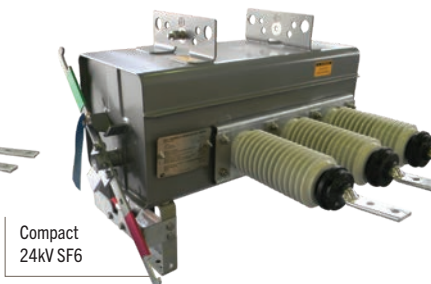
NGK-S ABS Mounting Bracket Kit

NGK-S ABS Double Break Interrupter

NGK-S ABS ARCBREK 5 Interrupter

12.1

NGK STANGER SF6 Gas Switches



Manual SF6 Load Break Gas Switches

Brand: NGK-S | Origin: Australia

Part Number	Description	Rating	Current	Making Current	Standard	Weight	Drawing
Manual SF6 Gas Switches							
539082	12kV SF6 Compact	12kV	630A	41.6kA	AS/NZS ISO 9001:2008	75kg	91776
539090	24kV SF6 Compact	24kV	630A	41.6kA	AS/NZS ISO 9001:2008	95kg	90030
539104	36kV SF6	36kV	630A	33kA	AS/NZS ISO 9001:2008	180kg	90036

Optional Accessories for all SF6

NGK-S SF6 Safety Locking Kit	91777
------------------------------	-------

Optional Accessories for 12&24kV SF6

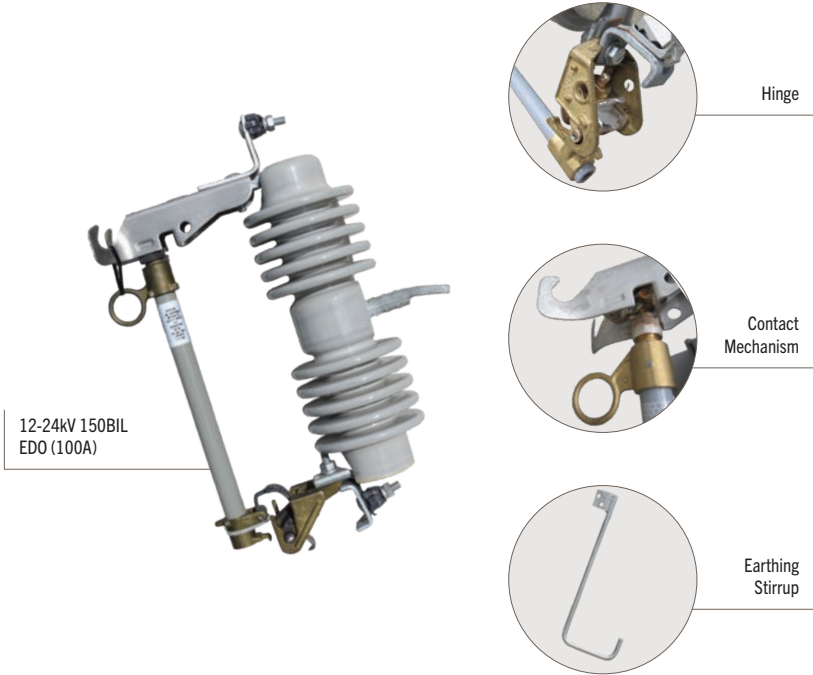
NGK-S SF6 12/24 Crossarm	91743
NGK-S SF6 12/24 Surge Diverter Mounting Kit	91806
NGK-S SF6 12/24 Mid Pole Actuator Kit	95110

Optional Accessories for 36kV SF6

NGK-S SF6 36 Crossarm	90481
NGK-S SF6 36 Pole Top Mounting Kit	90498
NGK-S SF6 36 Surge Diverter Mounting Kit	95001

12.1

NGK STANGER Porcelain EDO Dropouts



100A Porcelain EDO C-Type Dropout Switches

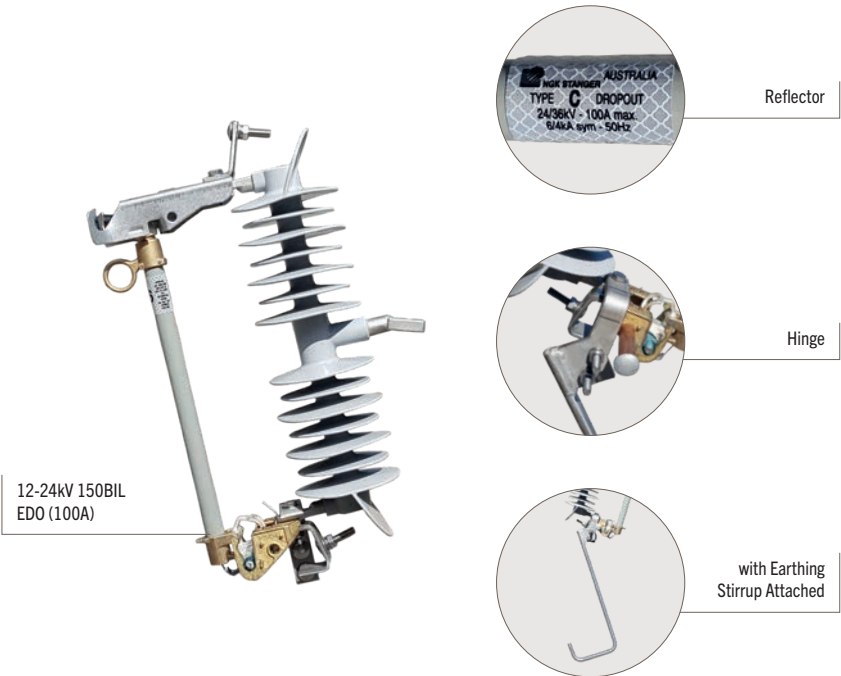
Brand: NGK-S | Origin: Australia | Colour: Grey

Part Number	Description	BIL	Current	Creepage	Breaking	Standard	Weight	Box/ Pallet	Drawing
150BIL EDO with Fuse Tube									
539023	12/24kV	150kV	100A	475mm	8kA@12kV	AS/NZS 1033.1	12.8kg	1/42	72298/15
170BIL EDO with Fuse Tube									
539031	24/36kV	170kV	100A	600mm	6kA@24kV	AS/NZS 1033.1	13.3kg	1/28	72299/27NORQEB

EDO Optional Accessories

EDO Earthing Stirrup	70450/6
EDO Fire Prevention Device	72835
EDO Birdproof Cover	72905

12.1



100A Polymer EDO C-Type Dropout Switches

Brand: NGK-S | Origin: Australia | Colour: Grey

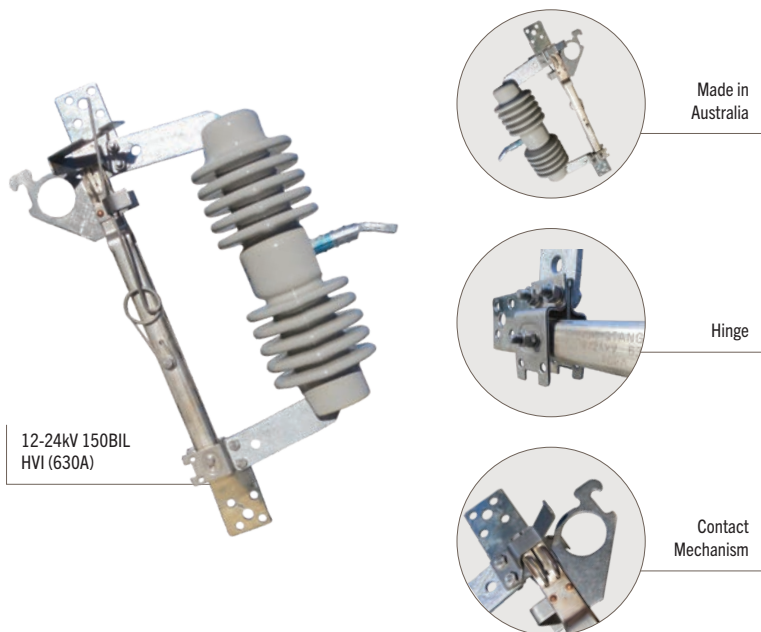
Part Number	Description	BIL	Current	Creepage	Breaking	Weight	Box/ Pallet	Drawing
539384	12/24kV	150kV	100A	820mm	8kA@12kV	4.7kg	1/42	72298/17
539341	24/36kV	170kV	100A	1045mm	6kA@24kV	4.9kg	1/22	72299/26

12.1

EDO Optional Accessories

EDO Earthing Stirrup	70450/6
EDO Fire Prevention Device	72835
EDO Birdproof Cover	72905

NGK STANGER Porcelain HVI Disconnects



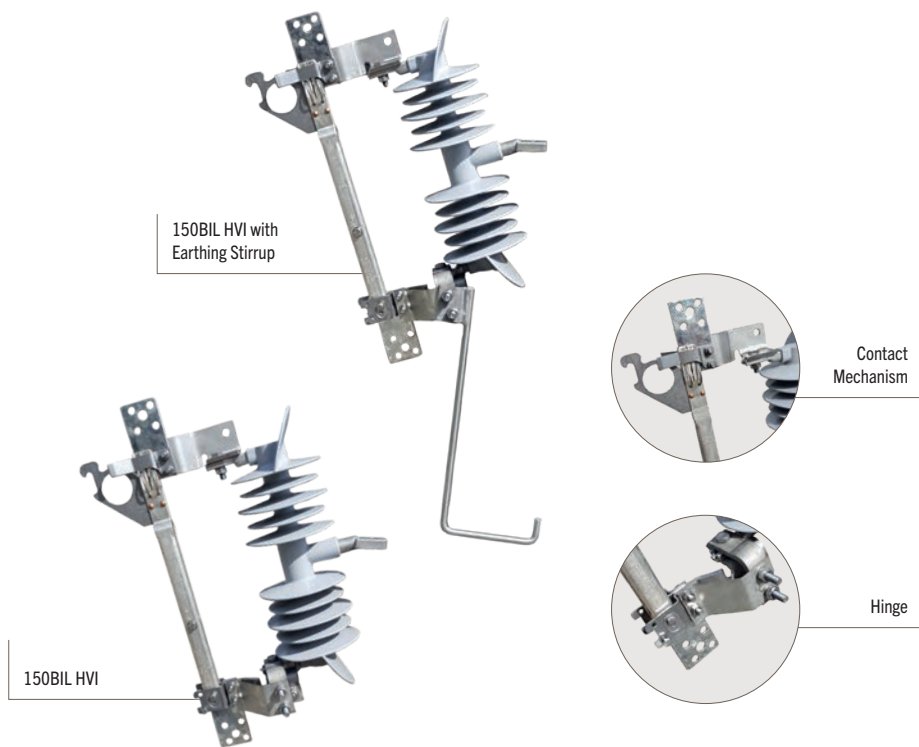
630A Porcelain Single Pole HVI C-Type Solid Links

Brand: NGK-S | Origin: Australia | Colour: Grey

Part Number	Description	BIL	Current	Creepage	S/T Current	Standard	Weight	Box/ Pallet	Drawing
125BIL									
253634	12kV	125kV	630A	300mm	20kA@1sec	AS/NZS 1025	9.0kg	1/28	70416WBB
253014	12/24kV	125kV	630A	300mm	20kA@1sec	AS/NZS 1025	9.0kg	1/28	70416/NSW
150BIL									
539058	12/24kV	150kV	630A	475mm	20kA@1sec	AS/NZS 1306	10.5kg	1/28	70414/NSW
170BIL									
539228	24/36kV	170kV	630A	600mm	20kA@1sec	AS/NZS 1306	12.0kg	1/28	70423/1
539007	24/36kV	170kV	630A	600mm	20kA@1sec	AS/NZS 1306	12.0kg	1/28	70423/1EE
539236	24/36kV + Earth Stirrup	170kV	630A	600mm	20kA@1sec	AS/NZS 1306	13.5kg	1/28	70423/2CE
Universal Mounting Brackets for NGK-S HVI									
253006	HVI Mounting Bracket (Z)								69196
253472	HVI Mounting Bracket (Y)								69194

12.1





630A Polymer HVI C-Type Solid Links

Brand: NGK-S | Origin: Australia | Colour: Grey

Part Number	Description	BIL	Current	Creepage	Breaking	Standard	Weight	Box/Pallet	Drawing
150BIL HVI									
539503	12/24kV + Hanger & Short Earth Stirrup	150kV	630A	820mm	20kA@1 sec	AS1306	6.8kg	1/24	70414/AUG1
539376	12/24kV + Hanger & Long Earth Stirrup	150kV	630A	820mm	20kA@1 sec	AS1306	6.8kg	1/24	70414/EE
170BIL HVI									
539368	24/36kV + Hanger & Long Earth Stirrup	170kV	630A	1045mm	20kA@1 sec	AS1306	7.2kg	1/24	70423/2EE

12.1

13.0

Rail Insulators, Switches, Products & Accessories



NGK STANGER



Rail Switch Designs

Brand: NGK | Origin: Australia | Unit: Each

Part Number	Description	Rated	Amps	Length	Width	Height	Box Qty	Drawing
539163	25kV 1250A Single Pole 2-Position Isolating Switch	25kV	1250A	3072mm	250mm	750mm	1	73342-1
539198	25kV 1250A Single Pole 3-Position Isolating Switch with Earth	25kV	1250A	3072mm	1200mm	750mm	1	73342-3
539201	NGK 25kV 1250A Twin Pole 3-Position Isolating Switch	25kV	1250A	3072mm	1200mm	750mm	1	73342-6
539171	NGK 25kV 1250A Single Pole 3-Position Isolating Switch	25kV	1250A	3072mm	1200mm	750mm	1	73342-8
468479	NGK Operating Handle for 25kV OHL Isolating Switch	N/A	N/A	775mm	250mm	700mm	1	73380-2

13.3