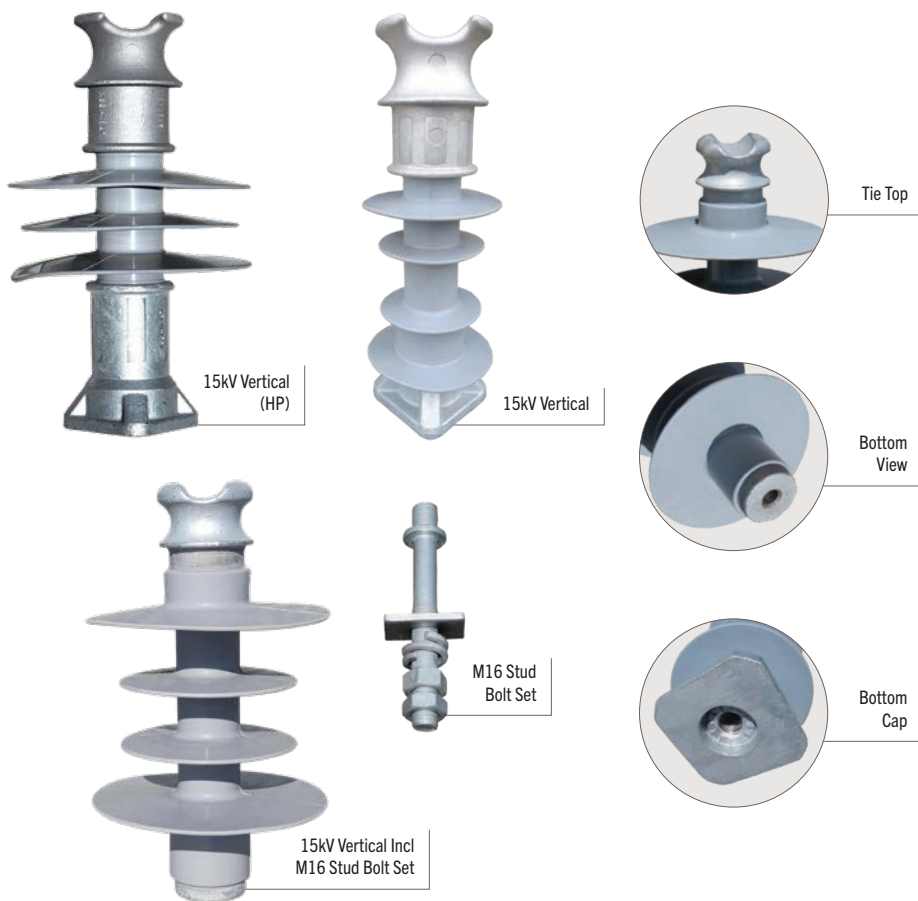


1.0

11-15kV Insulators





15kV Polymer Line Post Insulators – Tie Top

Brand: DTR | Origin: Korea | Colour: Grey | Unit: Each

Part Number	Description	Creepage	kN	Stud	Weight	Box/Pallet	Drawing
553239	15kV Vertical	357mm	12.5	Separate	3.5kg	6/120	DTR-LPCN-15SK-NZI
553859	15kV Vertical (HP)	476mm	12.5	Separate	4.0kg	6/120	LPCN-15SK-HP-M20
553778	15kV Vertical Includes: M16 Stud Bolt Set	540mm	12.5	Included	2.5kg 0.5kg	6/120	DTR-LPCN-15SK-SP STD160M16

DTR 15kV Polymer Line Post Insulators – Clamp Top

1.2



15kV Vertical
Clamp Top (Clamp
Sold Separately)



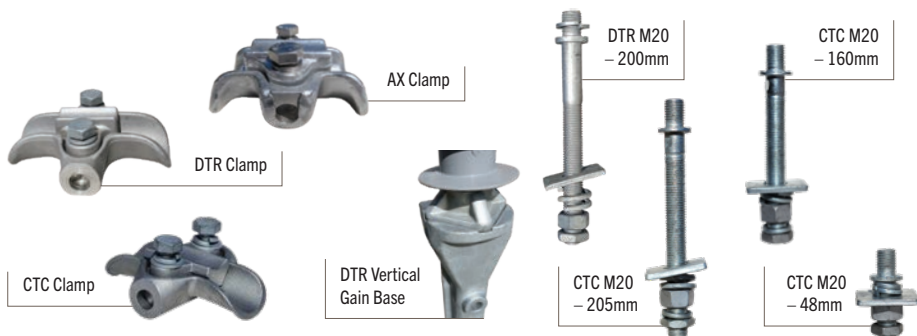
15kV Special
Clamp Top

15kV Polymer Line Post Insulators – Clamp Top

Brand: DTR | Origin: Korea | Colour: Grey | Unit: Each

Part Number	Description	Creepage	kN	Clamp	Stud	Weight	Box/Pallet	Drawing
553093	15kV Vertical	322mm	12.5	Separate	Separate	4.5kg	6/120	DTR-LPV15SK-NZI
553867	15kV Vertical (HP)	476mm	12.5	Separate	Separate	5.0kg	6/120	LPV-15SK-HP-1-M20
553875	15kV Vertical Special	357mm	12.5	Included	Separate	5.0kg	6/120	LPSC-15SK-M20
553883	15kV Vertical Special (HP)	476mm	12.5	Included	Separate	5.5kg	6/120	LPSC-15SK-HP-M20

DTR 15kV Polymer Line Post Insulators



Clamp, Stud and Base Options for 15kV Polymer Line Post Insulators – Tie Top & Clamp Top

Clamp Options for DTR 15kV Line Post Insulators (Sold Separately)

Construction: Aluminium | Unit: Each

Part Number	Description	Brand	Origin	Conductor Range	Length	Width	Weight	Box Qty	Drawing
553727	DTR 13-27mm Trunnion Clamp	DTR	Korea	13-27mm	135mm	98mm	650g	6	DTR-ATC-106
461792	AX 10-38mm Trunnion Clamp	AX	NZ	10-38mm	127mm	98mm	450g	12	D330-0501
527777	CTC 10-38mm Trunnion Clamp	CTC	China	14-29mm	125mm	98mm	450g	12	CTC-TC-100

Stud Options for DTR 15kV Line Post Insulators (Sold Separately)

Unit: Each

Part Number	Description	Brand	Origin	Length	Diameter	Weight	Box/Pallet	Drawing
553662	DTR 48mm Line Post Stud	DTR	Korea	48mm	M20	300g	96	STD48M20
553581	DTR 160mm Line Post Stud	DTR	Korea	160mm	M20	700g	72	STD160M20
553697	DTR 200mm Line Post Stud	DTR	Korea	200mm	M20	850g	48	STD200M20
556270	CTC 48mm Line Post Stud	CTC	China	48mm	M20	450g	96	CTC48M20
556084	CTC 160mm Line Post Stud	CTC	China	160mm	M20	670g	72	CTC160M20
556106	CTC 205mm Line Post Stud	CTC	China	205mm	M20	750g	48	CTC200M20

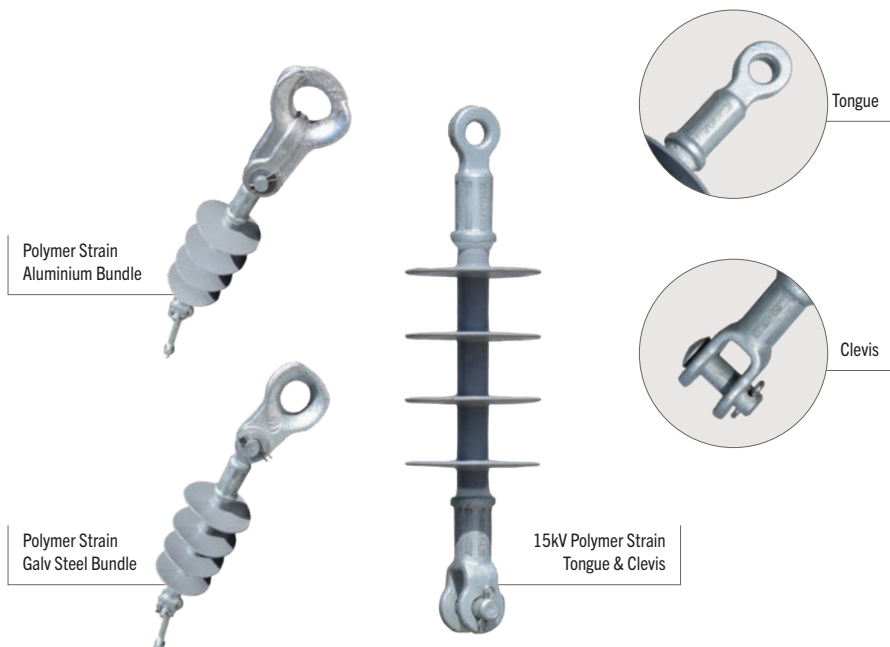
Gain Base for DTR 15kV Line Post Insulators (Sold Separately)

Brand: DTR | Origin: Korea | Unit: Each

Part Number	Description	Length	Weight	Box/Pallet	Drawing
553174	Vertical Gain Base	300mm	4.5kg	6/60	DTR-GBV

DTR 15kV Polymer Strain Insulators

1.2



15kV Polymer Strain Insulators (IEC 61109)

Brand: DTR | Origin: Korea | Colour: Grey

Part Number	Description	End Fittings	Rated	kN	Creepage	Sheds	Length	Weight	Box/Pallet	Drawing
553018	15kV Polymer Strain	Tongue & Clevis	15kV	70	459	4	347	0.8kg	10/900	ISA7-0459-AGH
553751	15kV Polymer Strain	Eye & Eye	15kV	70	459	4	347	0.8kg	10/800	ISA7-0459-AGG

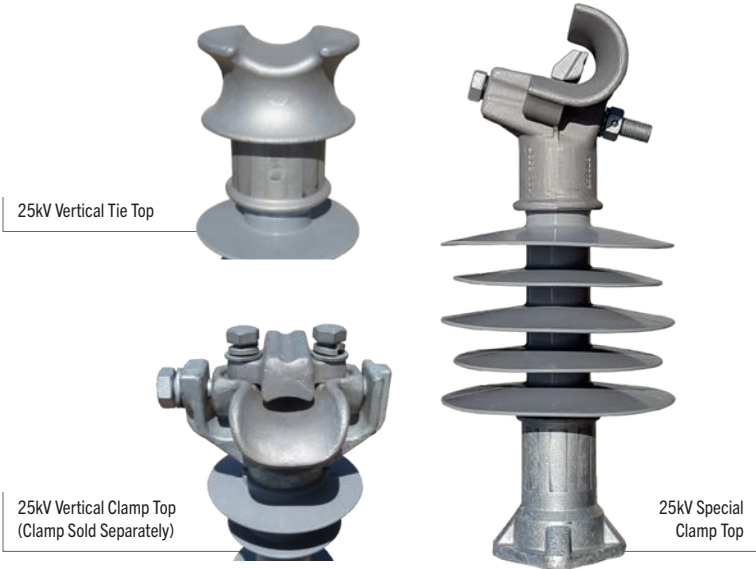
Preassembled Polymer Strain Bundles

Part Number	Description	Status	Weight	Box Qty
553336	DTR 15kV Polymer Strain + AX Aluminium Clevis + AVON 32/200M16 Eye Bolt	Assembled	2.1kg	10
553344	DTR 15kV Polymer Strain + AX Galv Steel Clevis + AVON 32/200M16 Eye Bolt	Assembled	2.3kg	10

2.0

22-25kV Insulators





25kV Polymer Line Post Insulators – Tie Top & Clamp Top

Brand: DTR | Origin: Korea | Colour: Grey | Unit: Each

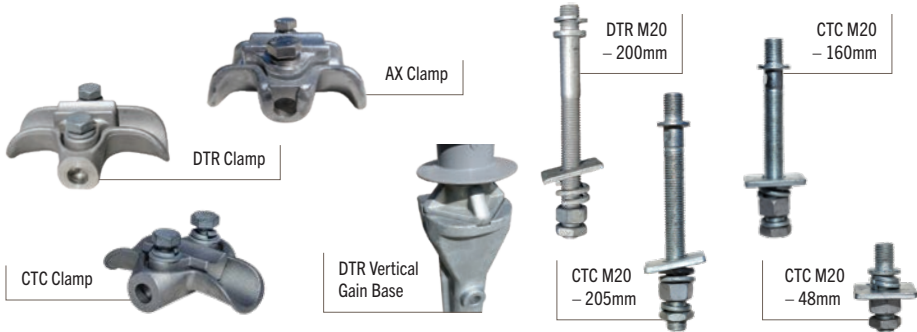
Part Number	Description	Creepage	kN	Clamp	Stud	Weight	Box/Pallet	Drawing
Tie Top								
553247	25kV Vertical	551mm	12.5	Separate	Separate	4.0kg	6/120	LPFN-25SK-M20
553891	25kV Vertical (HP)	783mm	12.5	Separate	Separate	4.5kg	6/120	LPFN-25SK-HP-M20

Clamp Top

553115	25kV Vertical	516mm	12.5	Separate	Separate	4.5kg	6/120	LPV-25SK-M20
553905	25kV Vertical (HP)	783mm	12.5	Separate	Separate	5.0kg	6/120	LPV-25SK-HP-1-M20
553913	25kV Vertical Special	551mm	12.5	Included	Separate	5.0kg	6/120	LPSC-25SK-M20
553921	25kV Vertical Special (HP)	783mm	12.5	Included	Separate	5.5kg	6/120	LPSC-25SK-HP-M20

DTR 25kV Polymer Line Post Insulators

2.2



Clamp, Stud and Base Options for 25kV Polymer Line Post Insulators – Tie Top & Clamp Top

Clamp Options for DTR 25kV Line Post Insulators (Sold Separately)

Construction: Aluminium | Unit: Each

Part Number	Description	Brand	Origin	Conductor Range	Length	Width	Weight	Box Qty	Drawing
553727	DTR 13-27mm Trunnion Clamp	DTR	Korea	13-27mm	135mm	98mm	650g	6	DTR-ATC-106
461792	AX 10-38mm Trunnion Clamp	AX	NZ	10-38mm	127mm	98mm	450g	12	D330-0501
527777	CTC 10-38mm Trunnion Clamp	CTC	China	14-29mm	125mm	98mm	450g	12	CTC-TC-100

Stud Options for DTR 25kV Line Post Insulators (Sold Separately)

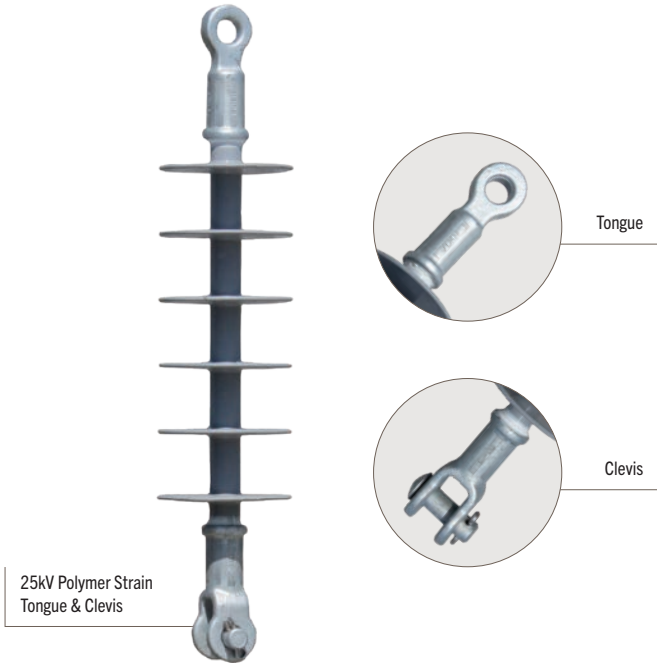
Unit: Each

Part Number	Description	Brand	Origin	Length	Diameter	Weight	Box/Pallet	Drawing
553662	DTR 48mm Line Post Stud	DTR	Korea	48mm	M20	300g	96	STD48M20
553581	DTR 160mm Line Post Stud	DTR	Korea	160mm	M20	700g	72	STD160M20
553697	DTR 200mm Line Post Stud	DTR	Korea	200mm	M20	850g	48	STD200M20
556270	CTC 48mm Line Post Stud	CTC	China	48mm	M20	450g	96	CTC48M20
556084	CTC 160mm Line Post Stud	CTC	China	160mm	M20	670g	72	CTC160M20
556106	CTC 205mm Line Post Stud	CTC	China	205mm	M20	750g	48	CTC200M20

Gain Base for DTR 25kV Line Post Insulators (Sold Separately)

Brand: DTR | Origin: Korea | Unit: Each

Part Number	Description	Length	Weight	Box/Pallet	Drawing
553174	Vertical Gain Base	300mm	4.5kg	6/60	DTR-GBV



25kV Polymer Strain Insulator (IEC 61109)

Brand: DTR | Origin: Korea | End Fittings: Tongue & Clevis | Colour: Grey | Unit: Each

Part Number	Description	Rated	kN	Creepage	Sheds	Length	Weight	Box/Pallet	Drawing
553026	25kV Polymer Strain	25kV	70	693	6	442	1.3kg	10/600	ISB7-0693-AGH

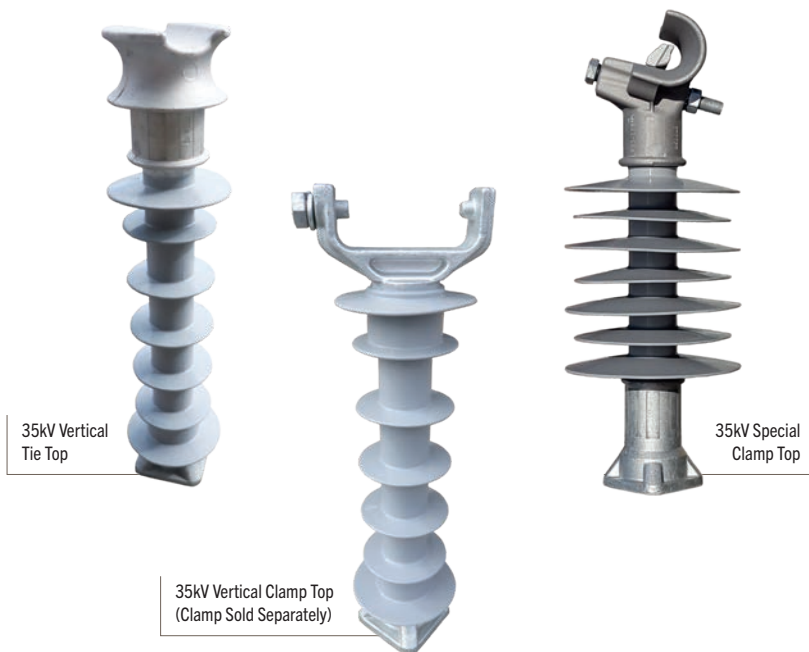
3.0

33-35kV Insulators



DTR 35kV Polymer Line Post Insulators

3.2



35kV Polymer Line Post Insulators – Tie Top & Clamp Top

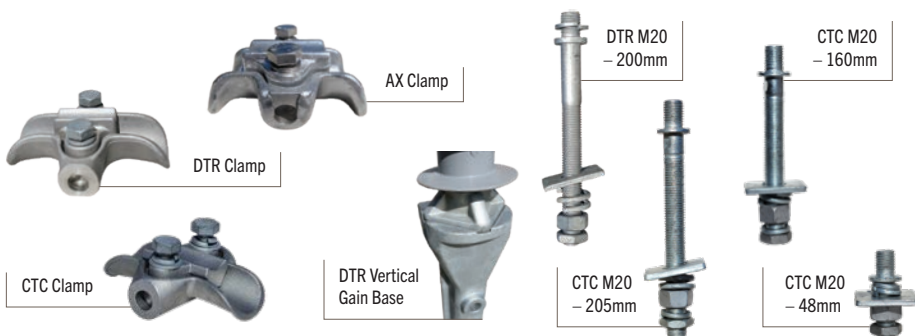
Brand: DTR | Origin: Korea | Colour: Grey | Unit: Each

Part Number	Description	Creepage	kN	Clamp	Stud	Weight	Box/Pallet	Drawing
Tie Top								
553255	35kV Vertical	648mm	12.5	Separate	Separate	4.5kg	6/120	LPFN-35SK-M20
553948	35kV Vertical	1090mm	12.5	Separate	Separate	5.0kg	6/120	LPFN-35SK-HP-M20

Clamp Top

553131	35kV Vertical	613mm	12.5	Separate	Separate	5.0kg	6/120	DTR-LPV-35SK-NZI
553956	35kV Vertical (HP)	1090mm	12.5	Separate	Separate	5.5kg	6/120	LPV-35SK-HP-1-M20
553964	35kV Vertical Special	648mm	12.5	Included	Separate	5.5kg	6/120	LPSC-35SK-M20
553972	35kV Vertical Special (HP)	1090mm	12.5	Included	Separate	6.0kg	6/120	LPSC-35SK-HP-M20

DTR 35kV Polymer Line Post Insulators



3.2

Clamp, Stud and Base Options for 35kV Polymer Line Post Insulators – Tie Top & Clamp Top

Clamp Options for DTR 35kV Line Post Insulators (Sold Separately)

Construction: Aluminium | Unit: Each

Part Number	Description	Brand	Origin	Conductor Range	Length	Width	Weight	Box Qty	Drawing
553727	DTR 13-27mm Trunnion Clamp	DTR	Korea	13-27mm	135mm	98mm	650g	6	DTR-ATC-106
461792	AX 10-38mm Trunnion Clamp	AX	NZ	10-38mm	127mm	98mm	450g	12	D330-0501
527777	CTC 10-38mm Trunnion Clamp	CTC	China	14-29mm	125mm	98mm	450g	12	CTC-TC-100

Stud Options for DTR 35kV Line Post Insulators (Sold Separately)

Unit: Each

Part Number	Description	Brand	Origin	Length	Diameter	Weight	Box/Pallet	Drawing
553662	DTR 48mm Line Post Stud	DTR	Korea	48mm	M20	300g	96	STD48M20
553581	DTR 160mm Line Post Stud	DTR	Korea	160mm	M20	700g	72	STD160M20
553697	DTR 200mm Line Post Stud	DTR	Korea	200mm	M20	850g	48	STD200M20
556270	CTC 48mm Line Post Stud	CTC	China	48mm	M20	450g	96	CTC48M20
556084	CTC 160mm Line Post Stud	CTC	China	160mm	M20	670g	72	CTC160M20
556106	CTC 205mm Line Post Stud	CTC	China	205mm	M20	750g	48	CTC200M20

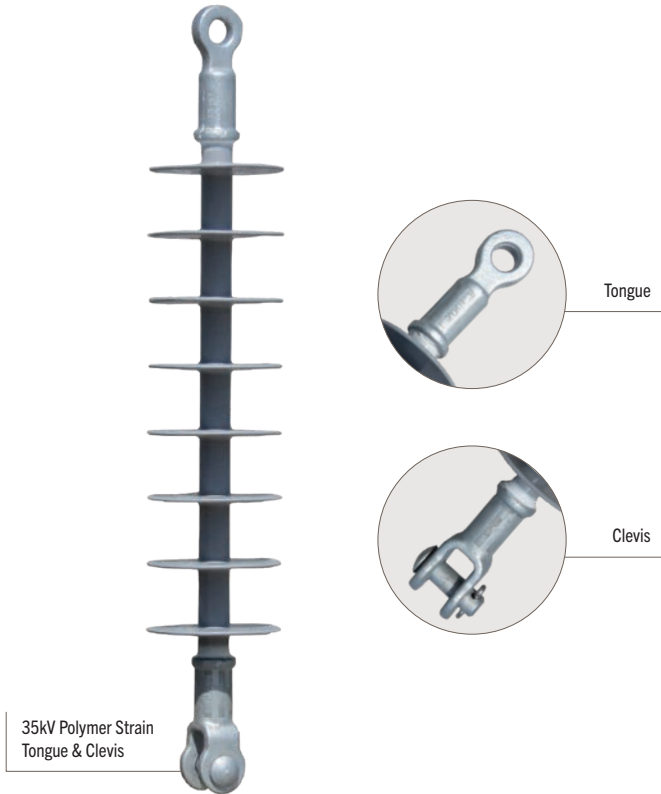
Gain Base for DTR 35kV Line Post Insulators (Sold Separately)

Brand: DTR | Origin: Korea | Unit: Each

Part Number	Description	Length	Weight	Box/Pallet	Drawing
553174	Vertical Gain Base	300mm	4.5kg	6/60	DTR-GBV

DTR 35kV Polymer Strain Insulators

3.2



35kV Polymer Strain Insulators (IEC 61109)

Brand: DTR | Origin: Korea | End Fittings: Tongue & Clevis | Colour: Grey | Unit: Each

Part Number	Description	Rated kV	kN	Creepage	Sheds	Length	Weight	Box/Pallet	Drawing
553034	35kV Polymer Strain	35kV	70	927	8	536	1.4kg	10/600	ISC7-0927-AGH
554693	35kV Polymer Strain (HP)	35kV	70	1362	8	594	2.0kg	3/84	ISB8-1362-BGH

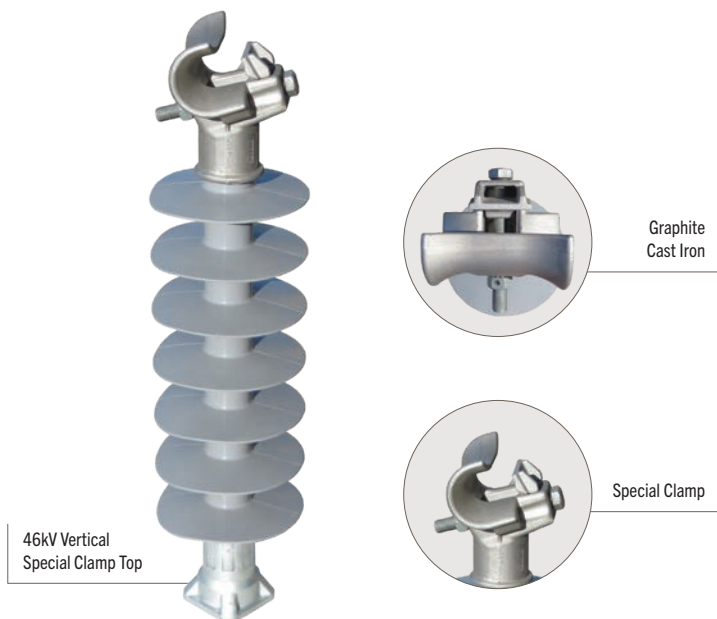
4.0

46-500kV Insulators



DTR 46kV Polymer Line Post Insulators

4.2



46kV Polymer Line Post Insulators – Tie Top & Clamp Top

Brand: DTR | Origin: Korea | Colour: Grey | Unit: Each

Part Number	Description	Creepage	kN	Clamp	Stud	Weight	Box/Pallet	Drawing
Tie Top								
553980	46kV Vertical	1195mm	12.5	Separate	Separate	6.5kg	1/60	LPFN-46SK-M20
553999	46kV Vertical (HP)	1703mm	12.5	Separate	Separate	6.5kg	1/60	LPFN-46SK-HP-M20
Clamp Top								
554006	46kV Vertical	1195mm	12.5	Separate	Separate	7.0kg	1/60	LPV-46SK-M20
554014	46kV Vertical (HP)	1703mm	12.5	Separate	Separate	7.0kg	1/60	LPV-46SK-HP-M20
554022	46kV Vertical Special	1195mm	12.5	Included	Separate	7.0kg	1/60	LPSC-46SK-M20
554030	46kV Vertical Special (HP)	1703mm	12.5	Included	Separate	7.5kg	1/60	LPSC-46SK-HP-M20



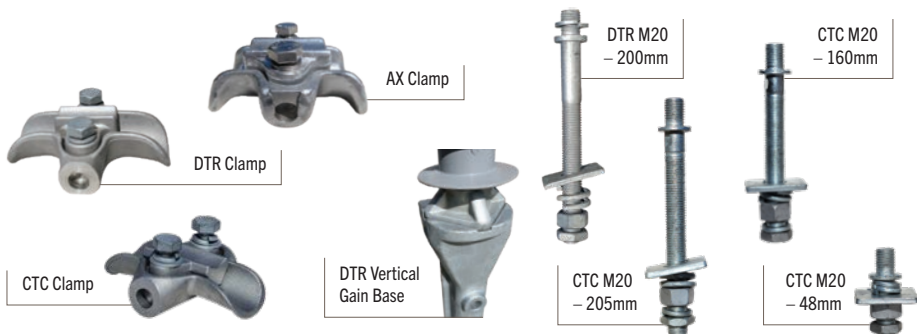
69kV Vertical
Special Clamp Top

69kV Polymer Line Post Insulators – Tie Top & Clamp Top

Brand: DTR | Origin: Korea | Colour: Grey | Unit: Each

Part Number	Description	Creepage	kN	Clamp	Stud	Weight	Box/Pallet	Drawing
Tie Top								
553166	69kV Vertical	1387mm	11.0	Separate	Separate	7.0kg	1/60	DTR-LPFN-69SK-NZI
554049	69kV Vertical (HP)	2330mm	12.5	Separate	Separate	7.5kg	1/60	LPFN-69SK-HP-M20
Clamp Top								
553212	69kV Vertical	1387mm	11.0	Separate	Separate	8.0kg	1/60	DTR-LPV69SK-NZI
554057	69kV Vertical (HP)	2330mm	12.5	Separate	Separate	8.0kg	1/60	LPV-69SK-HP-1-M20
554065	69kV Vertical Special	1387mm	12.5	Included	Separate	8.0kg	1/60	LPSC-69SK-M20
554073	69kV Vertical Special (HP)	2330mm	12.5	Included	Separate	8.5kg	1/60	LPSC-69SK-HP-M20

DTR 46-69kV Polymer Line Post Insulators



4.2

Clamp, Stud and Base Options for 46- 69kV Polymer Line Post Insulators – Tie Top & Clamp Top

Clamp Options for DTR 46-69kV Line Post Insulators (Sold Separately)

Construction: Aluminium | Unit: Each

Part Number	Description	Brand	Origin	Conductor Range	Length	Width	Weight	Box Qty	Drawing
553727	DTR 13-27mm Trunnion Clamp	DTR	Korea	13-27mm	135mm	98mm	650g	6	DTR-ATC-106
461792	AX 10-38mm Trunnion Clamp	AX	NZ	10-38mm	127mm	98mm	450g	12	D330-0501
527777	CTC 10-38mm Trunnion Clamp	CTC	China	14-29mm	125mm	98mm	450g	12	CTC-TC-100

Stud Options for DTR 46-69kV Line Post Insulators (Sold Separately)

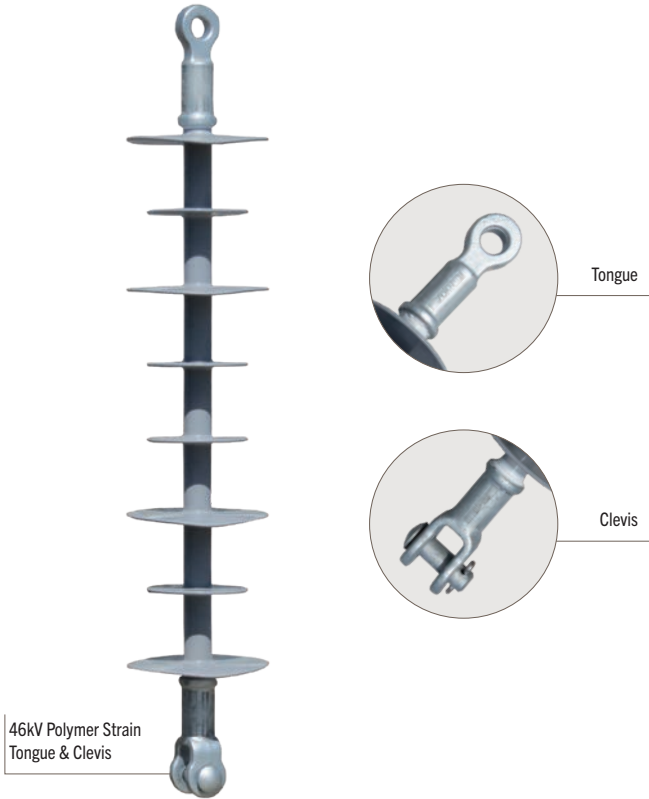
Unit: Each

Part Number	Description	Brand	Origin	Length	Diameter	Weight	Box/Pallet	Drawing
553662	DTR 48mm Line Post Stud	DTR	Korea	48mm	M20	300g	96	STD48M20
553581	DTR 160mm Line Post Stud	DTR	Korea	160mm	M20	700g	72	STD160M20
553697	DTR 200mm Line Post Stud	DTR	Korea	200mm	M20	850g	48	STD200M20
556270	CTC 48mm Line Post Stud	CTC	China	48mm	M20	450g	96	CTC48M20
556084	CTC 160mm Line Post Stud	CTC	China	160mm	M20	670g	72	CTC160M20
556106	CTC 205mm Line Post Stud	CTC	China	205mm	M20	750g	48	CTC200M20

Gain Base for DTR 46-69kV Line Post Insulators (Sold Separately)

Brand: DTR | Origin: Korea | Unit: Each

Part Number	Description	Length	Weight	Box/Pallet	Drawing
553174	Vertical Gain Base	300mm	4.5kg	6/60	DTR-GBV



46-69kV Polymer Strain Insulators (IEC 61109)

Brand: DTR | Origin: Korea | Colour: Grey | Unit: Each

Part Number	Description	Rated kN	End Fittings	Creepage	Sheds	Length	Weight	Box/Pallet	Drawing	
46kV										
553603	46kV Polymer Strain	46kV	70 Tongue & Clevis	1070mm	8	644mm	1.8kg	8/224	ISC9-1070-CAB	
69kV										
553700	69kV Polymer Strain	69kV	70 Tongue & Clevis	2205mm	13	864mm	2.9kg	1/144	ISD7-2205-BAB	
553379	69kV L011745	69kV	120 Ball & Socket	2070mm	19	800mm	4.4kg	1/144	SCGL019-A6800	
553395	69kV L011746Y	69kV	120 Y Clevis & Ball	2070mm	19	821mm	4.9kg	1/144	SCGL019-A2800	
553387	69kV L011746	69kV	120 Ball & Socket	2449mm	17	859mm	5.4kg	1/144	SCVL017-A6800	
553409	69kV L066096	69kV	160 Eye & Eye	1658mm	15	855mm	4.6kg	1/144	SEHL015-B1100	

DTR 115kV Suspension Strains

4.2



Y Clevis
Suspension Insulator

Ball & Socket
Suspension Insulator

115kV Polymeric Suspension Insulators for Transmission

Brand: DTR | Origin: Korea | Colour: Grey

Part Number	Description	Rated	Creepage	kN	Length	Sheds	Reference	Weight	Drawing
115kV Suspension Strains									
553417	Ball & Socket	115kV	3754mm	120	1232mm	35	L011760	7.1kg	SCGL035-A6801
553425	Y Clevis	115kV	3754mm	120	1253mm	35	L011760Y	7.6kg	SCGL035-A2801
553433	Ball & Socket	115kV	3893mm	120	1214mm	27	L011761	8.8kg	SCGL027-A6801
553441	Ball & Socket	115kV	3754mm	210	1241mm	35	L011770	8.0kg	SFGL035-B6801
553468	Y Clevis	115kV	3754mm	210	1262mm	35	L011770Y	8.5kg	SFVL035-B2801
553476	Ball & Socket	115kV	3893mm	210	1226mm	27	L011771	9.0kg	SFVL027-B6801



Ball & Socket
Suspension Insulator

230-500kV Polymeric Suspension Insulators for Transmission

Brand: DTR | Origin: Korea | Colour: Grey

Part Number	Description	Rated	Creepage	kN	Length	Sheds	Reference	Weight	Drawing
230kV Suspension Strains									
553484	Ball & Socket	230kV	7121mm	120	2096mm	67	L011762	11.9kg	SCGL067-A6811
553492	Ball & Socket	230kV	7606mm	120	2137mm	53	L011763	13.0kg	SCVL053-A6811
553506	Ball & Socket	230kV	7121mm	210	2105mm	67	L011772	12.4kg	SFGL067-B6811
553514	Ball & Socket	230kV	7607mm	210	2149mm	53	L011773	14.5kg	SCGL053-B6811
500kV Suspension Strains									
553522	Ball & Socket	500kV	12804mm	120	3554mm	121	L011764	18.5kg	SCGL121-A6813
553530	Ball & Socket	500kV	13301mm	120	3557mm	93	L011765	21.7kg	SCVL093-A6813
553549	Ball & Socket	500kV	12804mm	210	3563mm	121	L011774	19.5kg	SFGL121-B6813
553557	Ball & Socket	500kV	13301mm	210	3569mm	93	L011775	22.7kg	SFVL093-B6813

5.0

11-220kV Standoff & Station Post Insulators



DTR 7.5-220kV Polymer Station Post Insulators



5.2

7.5-220kV Polymer Station Post Insulators

Brand: DTR | Origin: Korea | Glaze: Grey

Part Number	Description	Rated	Creepage	Length	kN	Sheds	Weight	Box Qty	Drawing
554383	7.5kV TR202 Station Post	7.5kV	300mm	190mm	8.9	3	3.2kg	6	SPB008-TR202-M3
553263	15kV TR205 Station Post	15kV	529mm	254mm	12.5	5	3.2kg	6	SPB015-TR205-M3
553271	25kV TR208 Station Post	25kV	824mm	357mm	12.5	7	4.1kg	6	SPB025-TR208-M3
553298	35kV TR210 Station Post	35kV	1117mm	457mm	12.5	9	4.5kg	6	SPB035-TR210-M3
553301	46kV TR214 Station Post	46kV	1436mm	559mm	12.5	11	5.5kg	6	SPB046-TR214-M3
553328	69kV TR216 Station Post	69kV	1884mm	762mm	12	15	7.7kg	6	SPB069-TR216-M3
553352	150kV TR291 Station Post	150kV	4128mm	1704mm	8	24	20.4kg	1	DTR-TR291SK-HP-M
553360	220kV TR312 Station Post	220kV	5854mm	2336mm	5.5	34	30.2kg	1	DTR-TR312SK-M



Avon Crucifix Bracket



DTR Crucifix Standoff

15-33kV Polymer Standoff for Crucifix Bracket

Polymer Standoff for Crucifix Bracket (IEC 61109)

Brand: DTR | Origin: Korea | Colour: Grey | Unit: Each

Part Number	Description	Rated	Creepage	Length	Stud	Weight	Box/Pallet	Drawing
553069	15kV Crucifix Standoff	15kV	550mm	328mm	M12	1.8kg	6/300	ISA3-0550-GSS
554618	33kV Crucifix Standoff	33kV	1165mm	486.5mm	M12	3.5kg	3/168	ISA3-1165-GSS

Crucifix Bracket (HDG to 4680:2006)

Brand: Avon | Origin: NZ | Unit: Each

Part Number	Description	Length	Width	Thick	Holes	Weight	Pack Qty	Drawing
537055	Avon Crucifix Bracket	920mm	340mm	6mm	14mm	4.8kg	5	AA18206

6.0

12-33kV Surge Arrestors



DTR 12-33kV Polymer Surge Arresters – Class 1

6.1



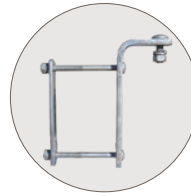
12kV Class 1
(CA12/10.HD)



Base Fitting



Top Fitting



Nema Bracket

12-33kV Polymer Surge Arresters – Class 1 (IEC 60099-4)

Brand: DTR | Origin: Korea | Bracket: Nema | Colour: Grey

Part Number	Description	Rated	Current	MCOV	Top Fitting	Box/Pallet	Drawing
553042	12kV 10kA Class 1	12kV	10kA	10.2kV	32mm	3/168	CA12/10.HD
553077	12kV 10kA Class 1	12kV	10kA	10.2kV	100mm	3/168	CA12/10.HD100
553050	18kV 10kA Class 1 (Alt Sheds)	18kV	10kA	15.3kV	32mm	3/168	CA18/10.1D (Rev A)
554227	33kV 10kA Class 1	33kV	10kA	28.05kV	32mm	1/60	CA33/10.1D



6.1

12-33kV Polymer Surge Arresters – Class 2 (IEC 60099-4)

Brand: DTR | Origin: Korea | Bracket: Nema | Colour: Grey

Part Number	Description	Rated	Current	MCOV	Top Fitting	Box/Pallet	Drawing
553204	12kV 10kA Class 2	12kV	10kA	9.6kV	32mm	3/168	CA12/10.2D
553646	15kV 10kA Class 2	15kV	10kA	12.0kV	32mm	3/168	CA15/10.2D
553565	18kV 10kA Class 2	18kV	10kA	15.3kV	32mm	3/168	CA18/10.2D
554235	33kV 10kA Class 2	33kV	10kA	26.4kV	32mm	1/60	CA33/10.2D

12.0

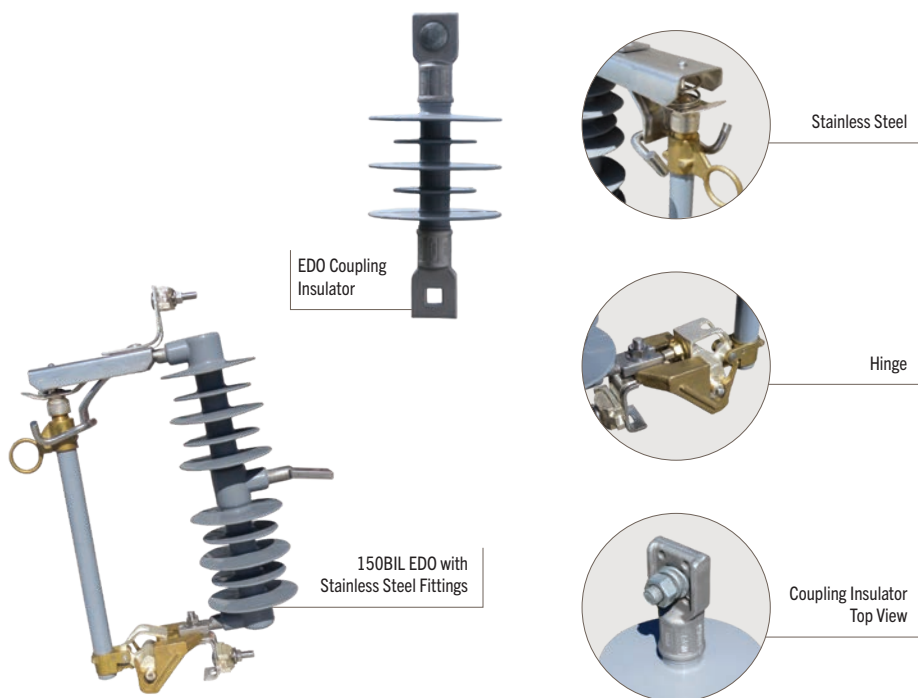
HV Switch, Disconnects & Service



NGK STANGER



DTR Polymer EDO Dropouts



15-36kV Polymer EDO Dropouts & EDO Coupling Insulator

Brand: DTR | Origin: Korea | Colour: Grey

Part Number	Description	Rated	BIL	Current	Creepage	Length	Weight	Box/Pallet	Drawing
Polymer EDO Dropouts									
554448	15kV	15kV	125kV	100A	370mm	292.5mm	4.6kg	1/100	CSNL15-BP1-100D
554375	27kV	27kV	150kV	100A	580mm	383.5mm	5.6kg	1/86	CSNL27-BP1-100D
554413	36kV	36kV	175kV	100A	1080mm	513.5mm	6.4kg	1/44	CSNL36-BP1-100D

EDO Coupling Insulator

Part Number	Description	Rated	kN	Leakage	Length	Weight	Box/Pallet	Drawing
553098	EDO Coupling Insulator	15kV	9.8	450mm	265mm	1.2kg	20/600	CI265-120AL