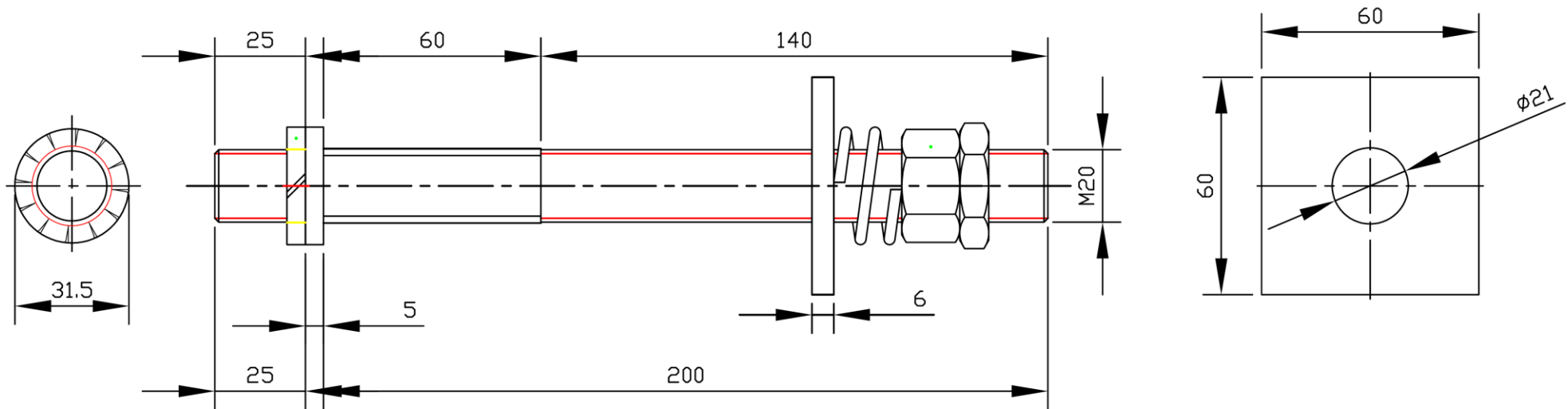



No.	DATE	REVISION	CHECK



NOTE:

1. THE STUDS ARE MADE FROM FORSED STEEL AND GALVANIZED
2. THE SIZE IS M20 SOLID.
3. THE THICKNESS OF HOT DIP GALVANIZING SHALL BE 45 μm (MIN. AVE)

DRAWN	DESIGN	CHECK	APPROVE	DATE	
	C.H.PARK		S.Y.JUNG		
	MAR.08.2012		MAR.08.2012		/
PART	INSULATOR STUDS FOR LINE POST INSULATORS				
NAME	200mm-M20 STUD BOLT SET	DWG. NO.	STD200M20		
 DTR CORPORATION					