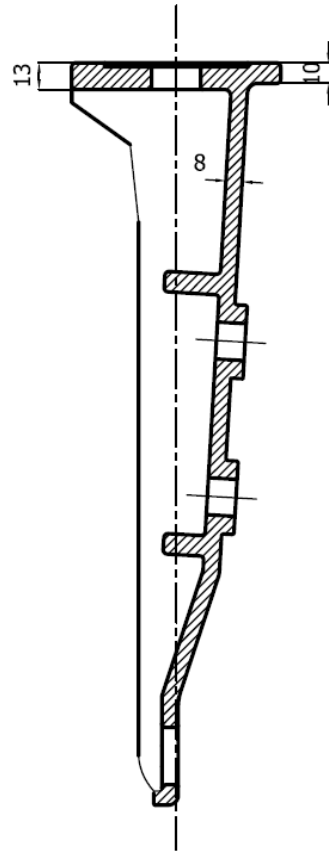
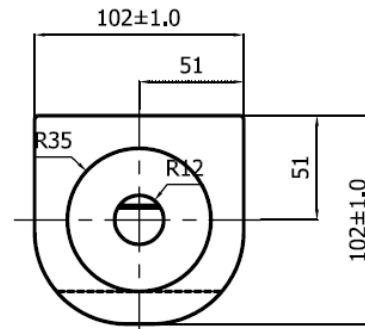
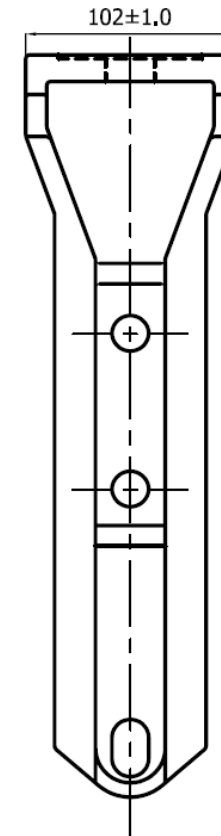
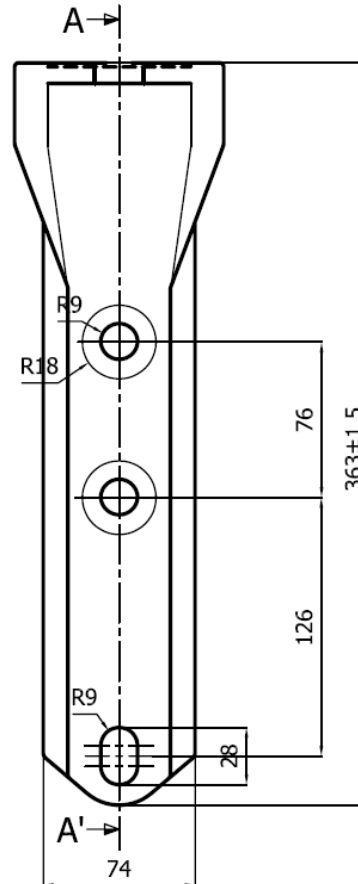


CATALOG No. DTR-GBV

REV	REVISION NOTE	DATE	BY
I/R	INITIAL RELEASE	01/19/2010	C.H.PARK



SECTION A-A'



NOTE:

1. GAIN BASE ARE MADE FROM SPHEROIDAL GRAPHITE CAST IRON.

THESE DRAWINGS AND SPECIFICATIONS, AND THE DATA CONTAINED THEREIN, ARE THE EXCLUSIVE PROPERTY OF DTR CORPORATION. THESE DRAWINGS ARE ISSUED IN STRICT CONFIDENCE AND SHALL NOT, WITHOUT THE PRIOR WRITTEN PERMISSION OF DTR CORPORATION, BE REPRODUCED, COPIED, OR USED FOR ANY PURPOSE WHATSOEVER, EXCEPT THE MANUFACTURE OF ARTICLES FOR DTR CORPORATION.

DIMENSIONAL TOLERANCES UNLESS OTHERWISE NOTED

X	±0.1
XX	±0.02
XXX	±0.010
ANGLES	±1°

Designed by
C.H.PARK

Date
01/19/10

Part Number
DTR-GBV

Scale
N/A



GAIN BASE FOR VERTICAL TYPE

Filepath

Units
INCHES

Sheet
1/1