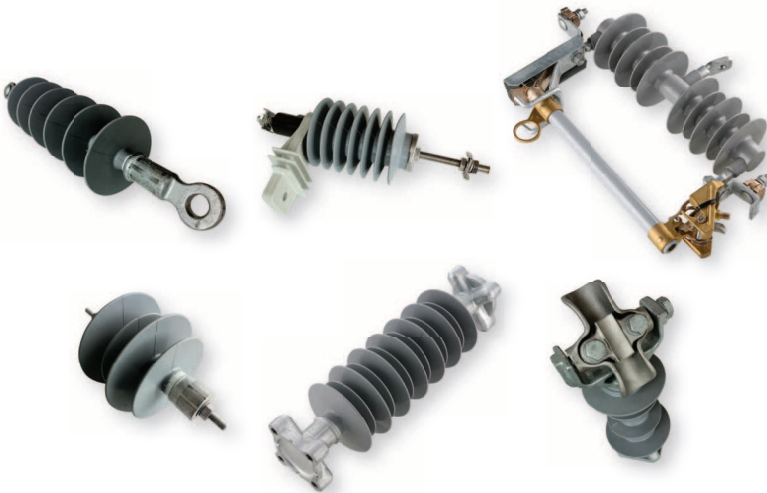




DTR ELECTRIC & NZI JOIN FORCES



DTR of Korea represented by New Zealand Insulators.
October 2011, 6 pages.



October 2011

New Zealand Insulators is very pleased to announce a new distribution agreement with DTR of Korea – which sees NZI represent the DTR polymer brand in New Zealand.

DTR Electric are established, credible manufacturers of polymeric insulators – significant suppliers to Kepco in Korea, but also now exporters to many countries around the world. DTR products are now in stock at NZI in both Auckland and Temuka.

Whilst we have an annual full-range NZI Catalogue being published again in January 2012, we didn't want to have to wait until next year to launch this outstanding range. So this brochure is an interim launch of those DTR products NZI is offering ex-stock.

As we get established NZI will also look to offer DTR products for substations, transmission & rail.

David, Dan & Ian have samples, drawings, type test certificates and pricing for each of the products in this brochure.

Greg Howell
General Manager
NEW ZEALAND INSULATORS
Mobile 0275 605 605



The Dong Ah Tire & Rubber Company became DTR Corporation in 1992, and diversified into the manufacturing of polymeric Insulators & Surge Arresters.

Following ISO 9001 certification in 1997 (and later ISO 14001:2004), the 'Yusan 2' Plant was purpose built by DTR in 2005.



Over the past 15 years DTR has crafted one of the industry's leading range of polymer products including Deadends, Surge

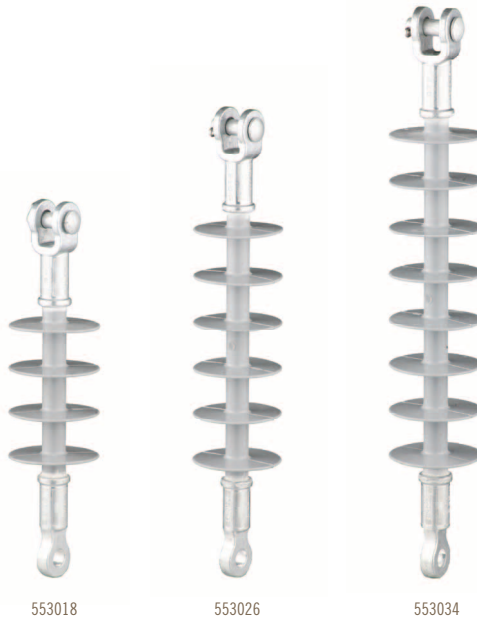
Arresters, Suspension Insulators, Line Posts, Station Posts & EDO Cutouts.

DTR stated aim is to supply 'the world's best quality & service'. Their manufacturing lead times, quality product, competitive pricing and absolute responsiveness to the needs of a small market like NZ – make DTR a compelling value proposition.



DTR have chosen New Zealand Insulators to take their full product range to market – under the DTR brand. DTR are looking to phase out contract-manufacturing for house brands, to establish DTR as the brand of choice being specified by Network Asset Managers.

Website – www.dtrelectric.co.nz



DTR POLYMERIC DEADEND STRAINS												
Part Number	Description	Brand	Origin	Volts	kN	End Fittings	Creepage	Colour	Standard	Box	Pallet	Drawing
15kV Rated Voltage												
553018	DTR 15kV Polymer Deadend Insulator	DTR	Korea	15kV	70	Tongue & Clevis	459	Grey	IEC 61109	10	640	ISA7-0459-AGH
25kV Rated Voltage												
553026	DTR 25kV Polymer Deadend Insulator	DTR	Korea	25kV	70	Tongue & Clevis	693	Grey	IEC 61109	10	540	ISB7-0693-AGH
35kV Rated Voltage												
553034	DTR 35kV Polymer Deadend Insulator	DTR	Korea	35kV	70	Tongue & Clevis	927	Grey	IEC 61109	10	540	ISC7-0927-AGH

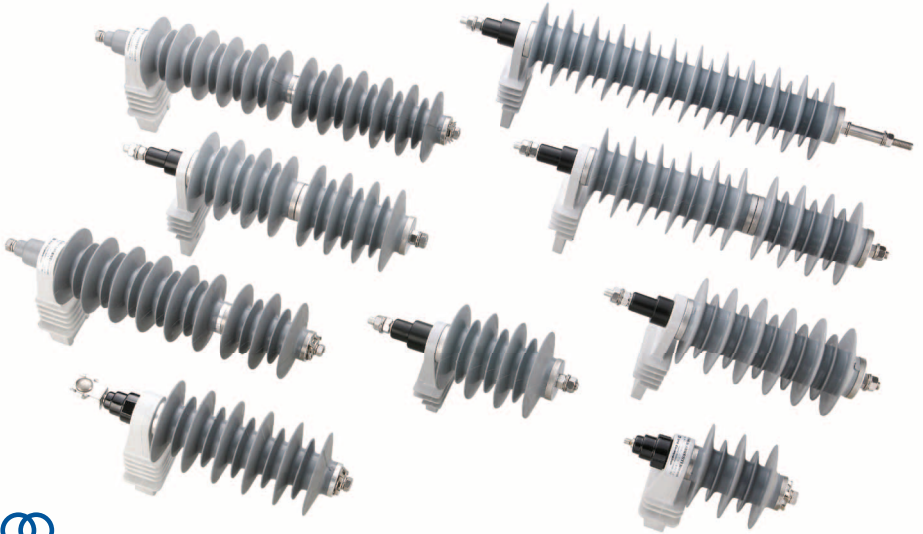


553107 & 553182 553092 553166 553158



DTR POLYMERIC LINE POST INSULATORS

Part Number	Description	Brand	Origin	Volts	kN	Creep	Line Fitting	Colour	Standard	Box	Pallet	Drawing
15kV Rated Voltage												
553093	DTR 15kV Vertical Line Post	DTR	Korea	15kV	12.5	312	Vert Clamp	Grey	IEC 61952	6	120	LSVB15-21-0312
553107	DTR 15kV Horizontal Line Post	DTR	Korea	15kV	12.5	312	Hor Clamp	Grey	IEC 61952	6	120	LSHB15-11-0312
28kV Rated Voltage												
553115	DTR 28kV Vertical Line Post	DTR	Korea	28kV	12.5	506	Vert Clamp	Grey	IEC 61952	6	120	LSVB28-21-0506
553123	DTR 28kV Horizontal Line Post	DTR	Korea	28kV	12.5	506	Hor Clamp	Grey	IEC 61952	6	120	LSHB28-11-0506
35kV Rated Voltage												
553131	DTR 35kV Vertical Line Post	DTR	Korea	35kV	12.5	602	Vert Clamp	Grey	IEC 61952	6	120	LSVB35-21-0602
553158	DTR 35kV Horizontal Line Post	DTR	Korea	35kV	12.5	602	Hor Clamp	Grey	IEC 61952	6	120	LSHB35-11-0602
69kV Rated Voltage												
553166	DTR 69kV Vertical Line Post	DTR	Korea	69kV	11.0	1387	Tie Top	Grey	IEC 61952	1	60	DTR-LPPFN-69SK
Line Post Base Fittings												
553174	DTR Vertical 300mm Gain Base	DTR	Korea						IEC 61952	6	60	DTR-GBV
553182	DTR Horizontal 300mm Gain Base	DTR	Korea						IEC 61952	6	60	DTR-GBH

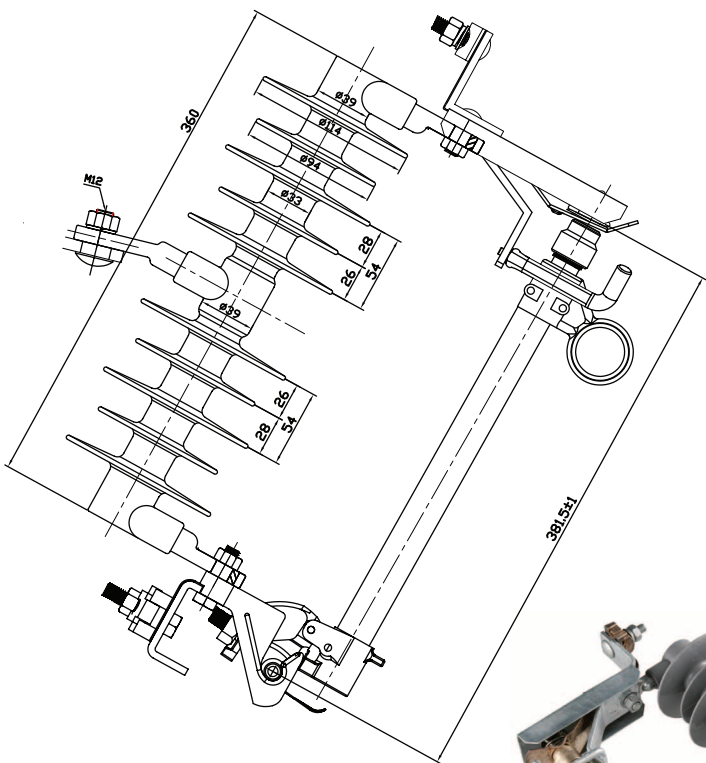


Assorted DTR Arresters

DTR POLYMERIC SURGE ARRESTERS

Part Number	Description	Brand	Origin	Volts	Amps	Class	Top Fitting	Bracket	Colour	Standard	Box	Pallet	Drawing
12kV Rated Voltage													
553042	DTR 12kV 10kA Class 1 Surge Arrester	DTR	Korea	12kV	10kA	1	32mm	Nema	Grey	IEC 60099-4	3	168	CA12/10.1D
553204	DTR 12kV 10kA Class 2 Surge Arrester	DTR	Korea	12kV	10kA	2	32mm	Nema	Grey	IEC 60099-4	3	168	CA12/10.2D
553077	DTR 12kV 10kA Class 1 Surge Arrester	DTR	Korea	12kV	10kA	1	100mm	Nema	Grey	IEC 60099-4	3	168	CA12/10.HD
18kV Rated Voltage													
553050	DTR 18kV 10kA Class 1 Surge Arrester	DTR	Korea	18kV	10kA	1	32mm	Nema	Grey	IEC 60099-4	3	168	CA18/10.1D

HV
MV
LV



553190



DTR POLYMERIC EDO CUTOUT SWITCH

Part Number	Description	Brand	Origin	Volts	BIL	Current	Creepage	Bracket	Colour	Standard	Box	Pallet	Drawing
	27kV Rated Voltage												
553190	DTR 27kV 150BIL EDO Cutout Switch	DTR	Korea	27kV	150	100A	580mm	Nema	Grey	ANSI37.41	1	60	CS0270-0580-100E

