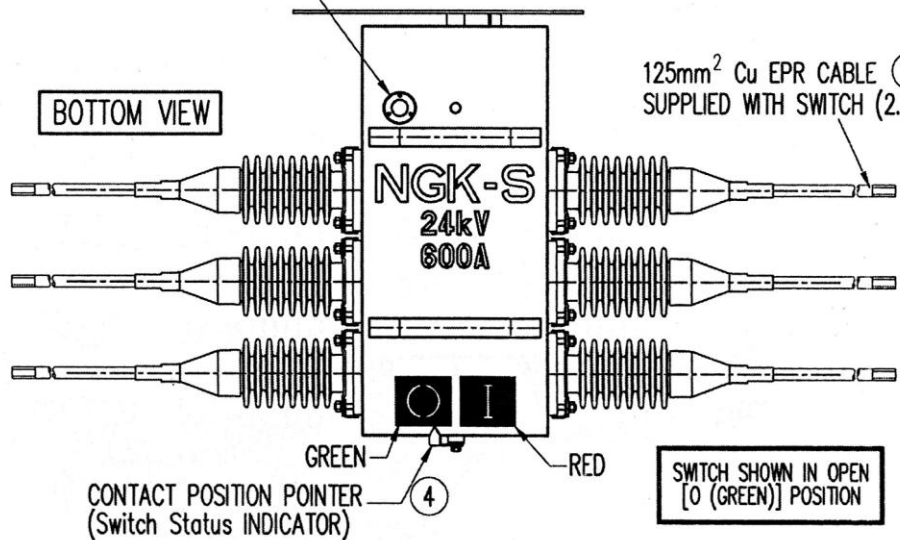


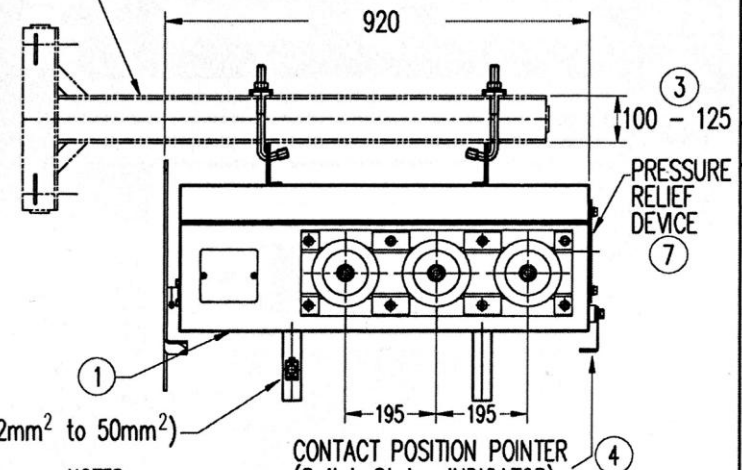
OPTIONAL : SURGE DIVERTER MOUNTING KIT
(each mounts 3 Surgediverter)
P/N 95001 (1 or 2 per Switch)
OPTIONAL : as above + IPC Connectors for S.D's
P/N 95086 (1 or 2 sets per Switch)

OPERATION MODE
VIA COLOUR CODED OPERATING LEVER :
PULL DOWN GREEN END TO OPEN
PULL DOWN RED END TO CLOSE
(Always confirm status via CONTACT POSITION POINTER (4))

RED FLAG LOW PRESSURE INDICATOR (6)



OPTION, CROSSARM P/N 90481.



- NOTES :
- 1 STAINLESS STEEL SWITCH ENCLOSURE PAINTED GREY.
 - 2 PORCELAIN INSULATOR BUSHINGS ARE GLAZED LIGHT GREY.
 - 3 SUITABLE CROSSARM SIZE IS FROM 100x100 to 125x125.
 - 4 Switch Status INDICATOR: [I (RED) = CLOSED, O (GREEN) = OPEN] DIRECTLY DRIVEN FROM INTERNAL CONTACTS.
 - 5 HANDLE LOCKOUT AUTOMATICALLY OPERATES WHEN GAS PRESSURE IS LOW - IN ADDITION :
 - 6 LOW GAS PRESSURE INDICATOR IS INCORPORATED.
 - 7 SAFETY GAS PRESSURE RELIEF DEVICE IS INCORPORATED.
 - 8 ABILITY TO BREAK 1500A EARTH FAULT CURRENT.
 - 9 EPR Cable : 125sqmm - 169/0.98mm dia Td Cu
Conductor dia = 14.7 Over insulation dia = 24.7

Rated Voltage	Ur 24kV	Rated Making Current (peak)	33kA
Rated Lightning Impulse W/stand	Up 150kVp	Insulator Bushing Creepage	750mm
Rated Frequency	fr 50Hz	Packing data - Switch in crate :	1.08m Wx0.69m Hx1.78m L = 1.33 m3
Rated Normal Current	Ir 600A		GROSS wt = 200 kg
Number of Operations @ 0.8pf	1000 x 400A 600 x 600A	Switch NETT wt =	180 kg
Rated Short Time (1s)	Ik 13kA		

This document is the property of NGK STANGER P/L and must not be copied or reproduced without written permission, nor disclosed to any third party.

Issue	Change	Date	Auth.
7	Updated	03-04	
6	Updated	06-03	
5	Updated	05-03	
4	Updated	04-03	
3	Packing info added	01-03	
2	Redrawn on ACAD.	10-02	

OPTIONAL Items :
FOR CROSSARM REFER : 90481 (1/Sw)
FOR POLETOP MOUNTING KIT REFER : 90498 (1/Sw)
FOR SURGE DIVERTER MOUNTING KIT REFER: 95001 (1 or 2/Sw)
FOR 95001+IPC Connectors for S.D's REFER: 95086 (1or2sets/Sw)



24kV 400A SF6
LOADBREAK SWITCH
MANUAL TYPE-HORIZONTAL MTG.
with PORCELAIN BUSHINGS

NGK STANGER
NGK STANGER Pty. Ltd. A.B.N. 89 004 225 012
MELBOURNE AUSTRALIA

DRAWN: [Signature] CHECKED: [Signature] APPD: [Signature] DATE 28-10-2002

C.E. Stock No. NP 53201600 SIZE A4 DRAWING No. 90012 ISSUE 7

A490012