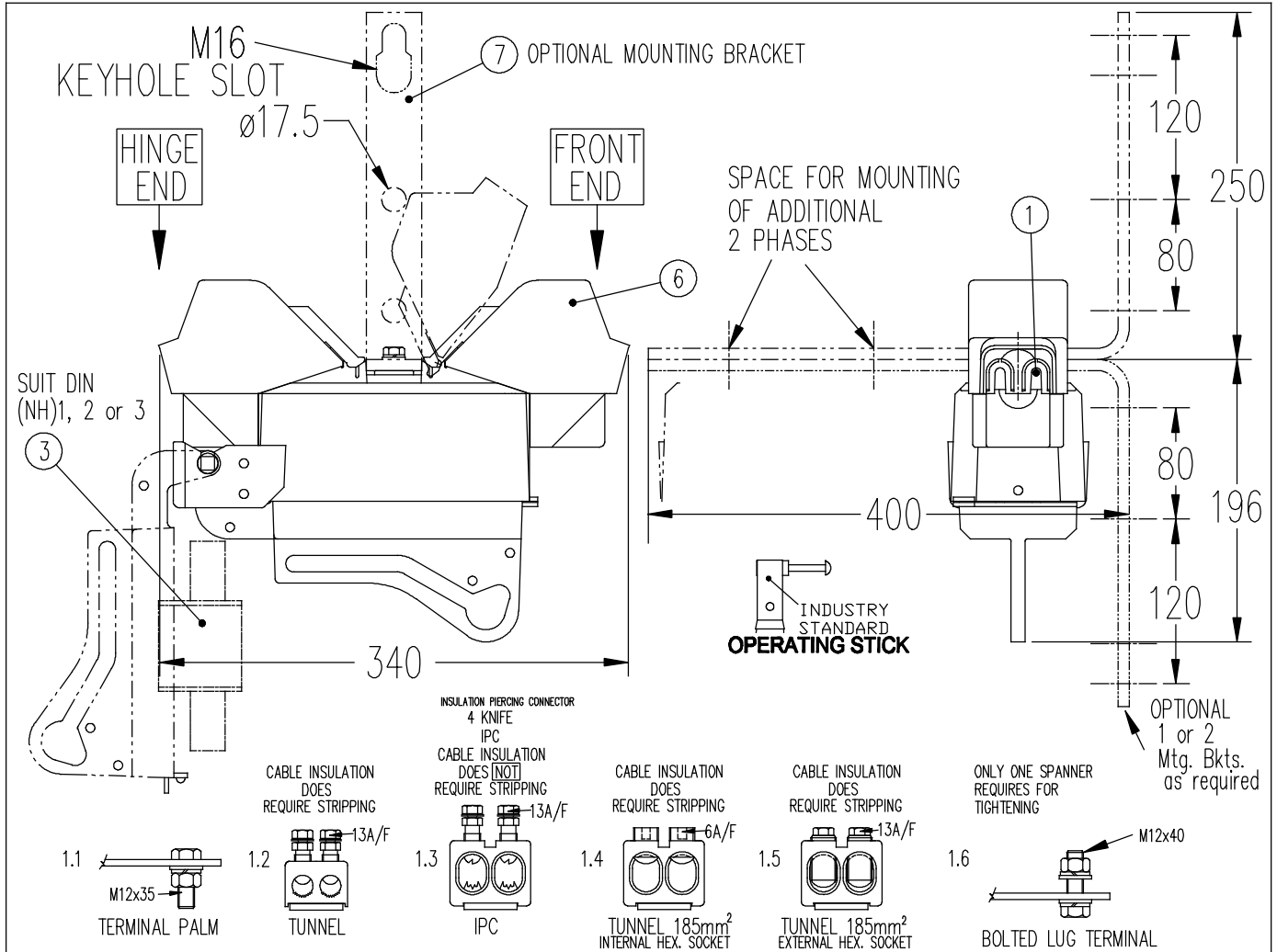


FSD401

415V SINGLE PHASE FUSE SWITCH DISCONNECTOR



FEATURES

- Available terminations :
 - Terminal palm.
 - Tunnel 95mm² - 150mm².
 - IPC 95mm² - 150mm².
 - Tunnel 185mm².
 - Tunnel 185mm².
 - Bolted Lug Terminal.
- IPC terminal seals the end of the ABC cable preventing water ingress
- Accepts DIN(NH) size 1, 2 or 3 fuse links (400A max.) and can be operated using a standard hook stick.
- Corrosion proof
- Weatherproof housing made of high quality glass reinforced polymeric compound
- Individual hinged terminal lid.
- Mounting bracket - Purchased separately - 3 x FSD401 can be mounted on 1 mounting bracket.

TECHNICAL DATA

APPLICABLE STANDARDS
 AS 3947-3 (IEC 947-3 & IEC 269)

1. RATED OPERATIONAL VOLTAGE	U _e	415 V	7. MAX. POWER ACCEPTANCE PER FUSE LINK	P _n	34 W
2. RATED INSULATION VOLTAGE	U _i	1000 V	8. UTILIZATION CATEGORY		AC22B
3. RATED IMPULSE WITHSTAND VOLTAGE	U _{imp}	16 kV	9. DEGREE OF PROTECTION (CLOSED)		IP 23
4. RATED FREQUENCY		50 Hz	10. RATED SHORT TIME WITHSTAND CURRENT	I _{cw}	16 kA rms
5. RATED OPERATIONAL CURRENT-WITH FUSE LINKS	I _e	400 A	11. MASS WITHOUT FUSE		1.9 kg /PHASE
6. RATED MAKING & BREAKING CURRENT @ 0.65 PF		400 A	TEST REPORT : E3255,E3249		

PART Nos.

	PART Nos.	FRONT END	HINGE END	Yellow Indicator with FUSE OUT		Termination	
				IN	OUT	FRONT END	HINGE END
SINGLE PHASE UNIT FSD401 w/o MOUNTING BRACKET :	73401/1	IPC	IPC	●	●	1.3	1.3
"	73401/2	TUNNEL	TUNNEL	●	●	1.2	1.2
"	73401/3	IPC	TUNNEL	●	●	1.3	1.2
"	73401/4	IPC	TERMINAL PALM	●	●	1.3	1.1
"	73401/5	TERMINAL PALM	TERMINAL PALM	●	●	1.1	1.1
"	73401/5CP	TERMINAL PALM	TERMINAL PALM	●	●	1.1	1.1
"	73401/6	TUNNEL 185mm ²	TUNNEL 185mm ²	●	●	1.4	1.4
"	73401/7	TUNNEL 185mm ²	TUNNEL 185mm ²	●	●	1.5	1.5
"	73401/7CP	TUNNEL 185mm ²	TUNNEL 185mm ²	●	●	1.5	1.5
"	73401/8	BOLTED LUG	BOLTED LUG	●	●	1.6	1.6

STANDARD FUSE PRESENT INDICATION (AT POSITION "I") = YELLOW, AND WITH NO FUSELINK PRESENT = BLACK. FOR REVERSE INDICATION ADD "CP" TO PART No.

OPTIONAL MOUNTING BRACKET : 72923