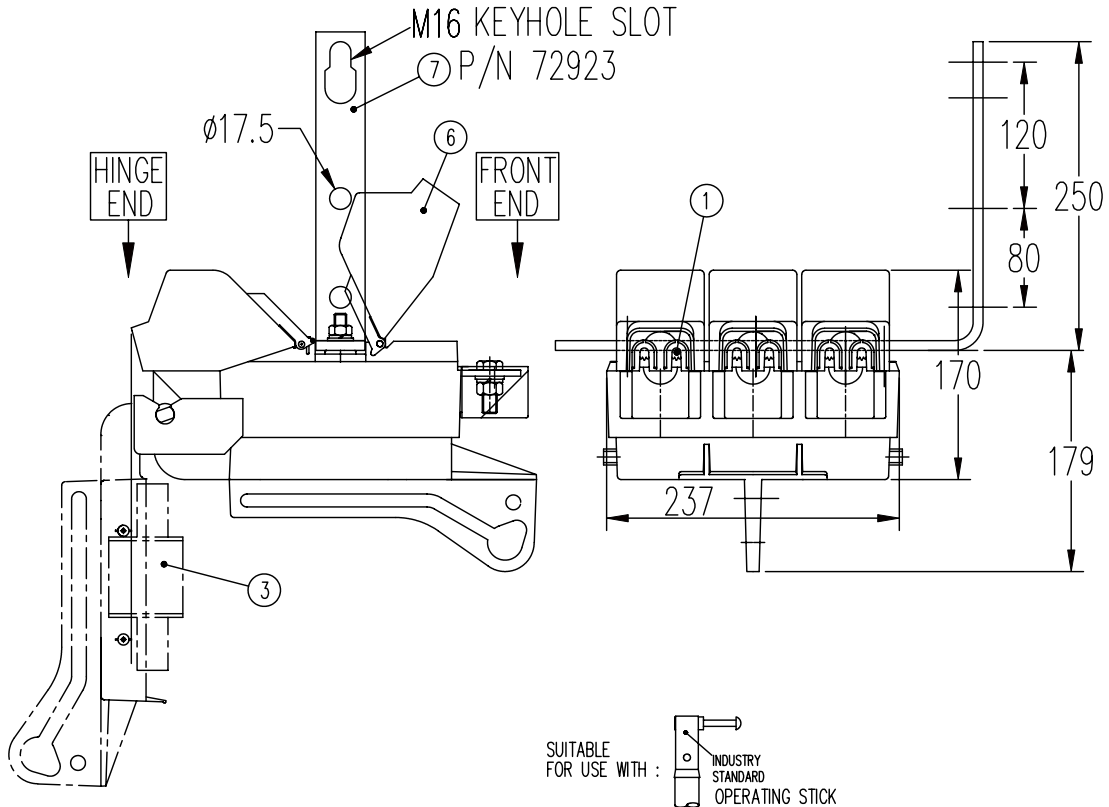
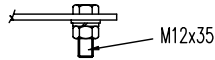


SHEET A4



1. Termination : TERMINAL PALM on FRONT & HINGE END.



- 2. Optional alternative terminations available : IPC connectors or Tunnel connectors
- terminations also available mixed for front & hinge end
- 3. Accepts DIN(NH) size 1 & 2 fuse links (400A max.) and can be operated using a standard hook stick
- 4. Corrosion proof
- 5. Weatherproof housing made of high quality glass reinforced polymeric compound
- 6. Individually hinged terminal covers
- 7. Mounting bracket

Technical Data :

Applicable Standard : AS 3947-3 (IEC 947-3 & IEC 269)

Rated Operational Voltage	Ue	415 V	
Rated Insulation Voltage	Ui	1000 V	
Rated Impulse Withstand	Uimp	16 kV	
Rated Frequency		50 Hz	
Rated Operational Current with Fuselinks	Ie	400A max.	
Rated Short Time Withstand	Icw	16 kA	Mass without Fuse = 6 kg
Utilization Category		AC-22B	C.E. Stock No. NP 53400500 AE GSE
Degree of Protection (CLOSED)		IP23	

This document is the property of NGK STANGER P/L and must not be copied or reproduced without its written permission nor disclosed to any third party.

3	Mounting Bracket revised.	ISSUE	CHANGE
2	Updated		
1	Original		

SCALE	1 : 6
DRN.	S. Garg
CH'D.	S. Garg
APP'D.	[Signature]
ISSUED	05-01

FSD400
FUSE SWITCH DISCONNECTOR, LV, 3 PHASE,
400A, TERMINAL PALMS SUIT LUGS WITH M12

ERGON IIN : 675123

**Quality
Endorsed
Company**
AS/NZS ISO 9001:2000

<small>NGK STANGER Pty. Ltd. A.B.N. 89 004 225 012 MELBOURNE AUSTRALIA</small>		
SIZE	DRAWING No.	ISSUE
A4	71969/5	5