

# Efen NH-Latr 1 1P SC L5L5 250A 1 Pole Switch

NZI Part No. 531030

Efen # 33095.0010

Flat Terminal M10. For Baseplate Mounting

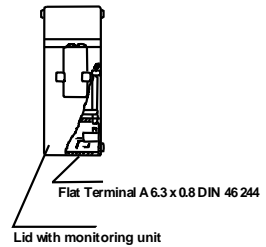
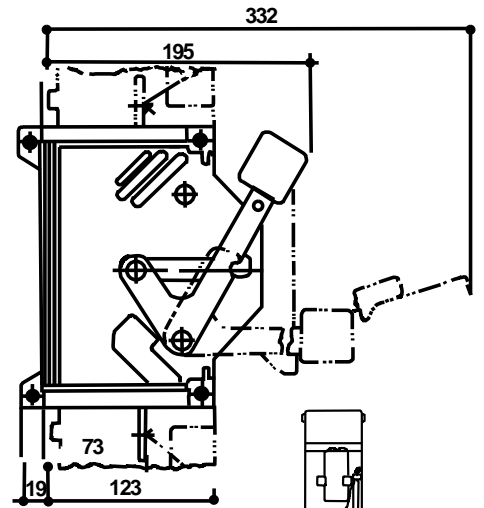
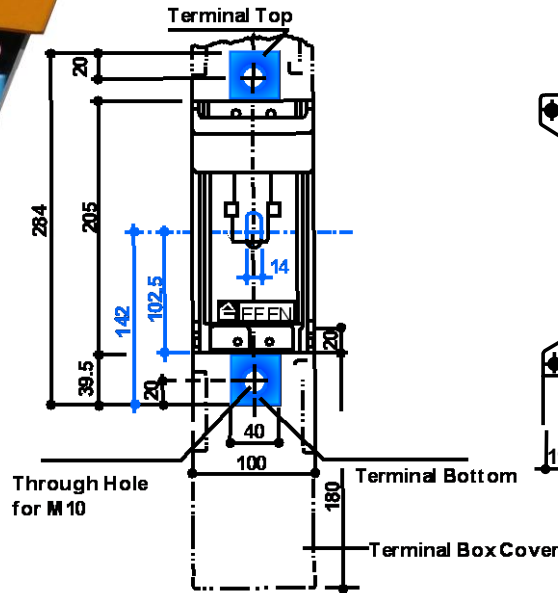
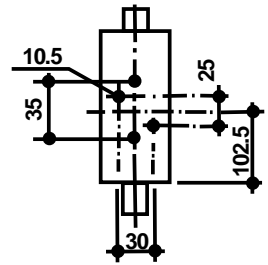
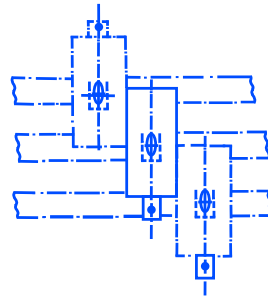
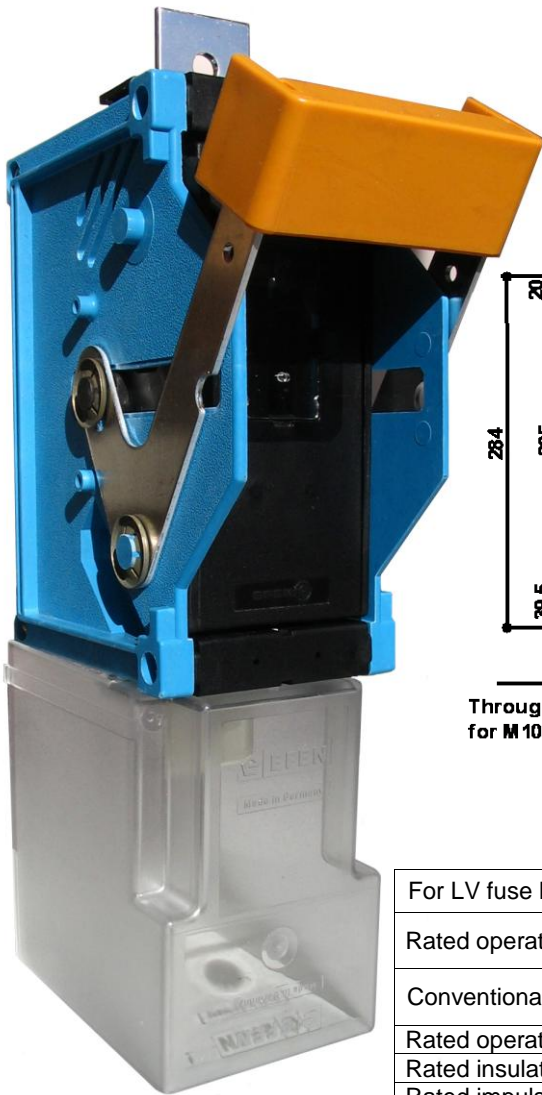
Also available for Busbar Contacting

NZI Part No. 530395

Efen Part No. 33098.0020

HQ & FACTORY  
THOMAS STREET  
PO BOX 5 TEMUKA 7948  
T +64 3 615 0085

AUCKLAND SALES OFFICE  
2/40 ARRENWAY DRIVE  
ROSEDALE 0651  
T +64 9 479 4794



For LV fuse links acc. To DIN 43620/1 <sup>1</sup>	Size	00	1	2	3	4a
Rated operational current $I_e$	A	160	250	400	630	1250 1600
Conventional free air thermal current $I_{th}$	A	160	250	400	630	1250 1600
Rated operational voltage $U_e$	V	690	690	690	690	690
Rated insulation voltage $U_i$	V	800	800	800	800	800
Rated impulse withstand voltage $U_{imp}$	kV	8	8	8	8	8
Rated conditional short circuit current (When protected by fuse links)	kA	50	50	50	50	50
Weight without fuse links	Kg	0.38	2.4	2.4	2.5	4.2
Sc version		0.36	2.0	2.0	2.4	4.2
Utilisation category IEC/EN 60 947/3	$U_e = 400\text{ V}$ $U_e = 690\text{ V}$ $U_e = 440\text{ V}^2$	AC-22B AC-21B DC-21B	AC-22B AC-21B DC-21B	AC-22B AC-21B DC-21B	AC-22B AC-21B DC-21B	AC-22B AC-21B DC-21B
Permissible ambient air temperature	°C	-40 up to 55				

<sup>1</sup> When using gR-Fuse-Links (VDE 0636/23), please ask for information  
<sup>2</sup> Size 00  $I_e = 100\text{ A}$