

NH-Latr 2 SC L5 400A 1 Pole Switch

Flat Terminal M10

Available for Baseplate Mounting

NZI Part No: 530964

Efen Part No: 33096.0010

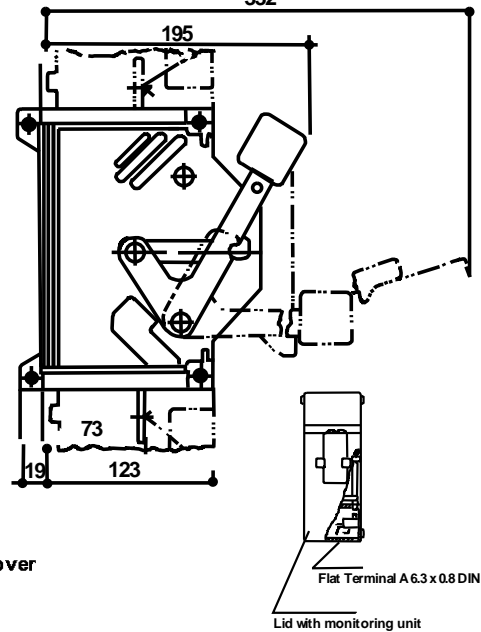
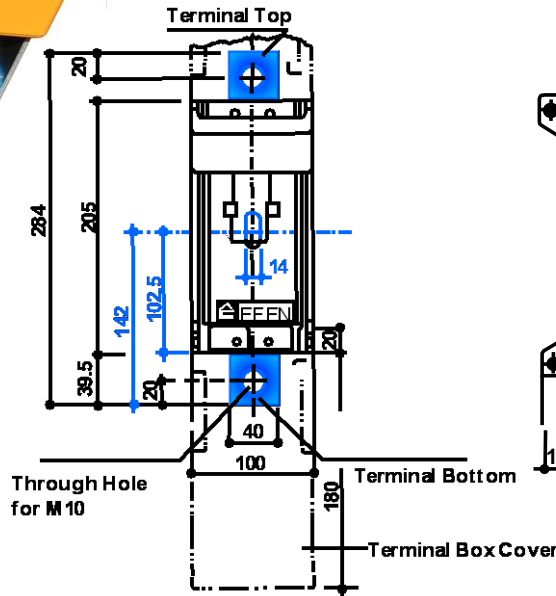
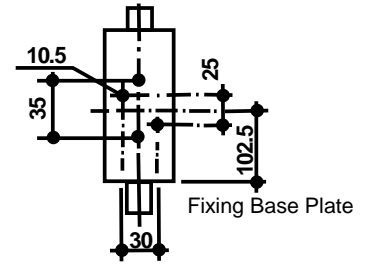
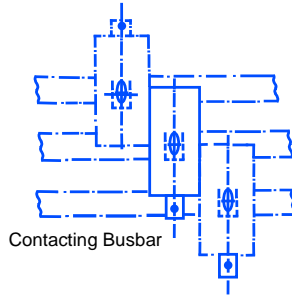
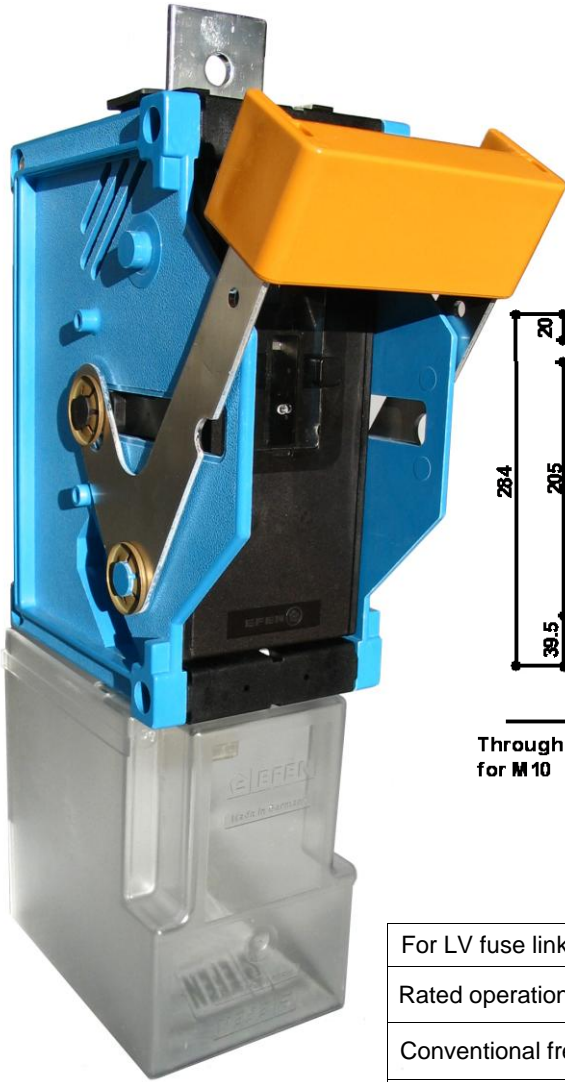
Or for Busbar Contacting

NZI Part No: 530476

Efen Part No: 33099.0020

HQ & FACTORY
THOMAS STREET
PO BOX 5 TEMUKA 7948
T +64 3 615 0085

AUCKLAND SALES OFFICE
2/40 ARRENWAY DRIVE
ROSEDALE 0651
T +64 9 479 4794



For LV fuse links acc. To DIN 43620/1 ¹	Size	00	1	2	3	4a
Rated operational current I_e	A	160	250	400	630	1250 1600
Conventional free air thermal current I_{th}	A	160	250	400	630	1250 1600
Rated operational voltage U_e	V	690	690	690	690	690
Rated insulation voltage U_i	V	800	800	800	800	800
Rated impulse withstand voltage U_{imp}	kV	8	8	8	8	8
Rated conditional short circuit current (When protected by fuse links)	kA	50	50	50	50	50
Weight without fuse links	Kg	0.38	2.4	2.4	2.5	4.2
Sc version		0.36	2.0	2.0	2.4	4.2
Sb Sc version						
Utilisation category IEC/EN 60 947/3	$U_e = 400\text{ V}$ $U_e = 690\text{ V}$ $U_e = 440\text{ V}^2$	AC-22B AC-21B DC-21B	AC-22B AC-21B DC-21B	AC-22B AC-21B DC-21B	AC-22B AC-21B DC-21B	AC-22B AC-21B DC-21B
Permissible ambient air temperature	°C	-40 up to 55				

¹ When using gR-Fuse-Links (VDE 0636/23), please ask for information

² Size 00 $I_e = 100\text{ A}$