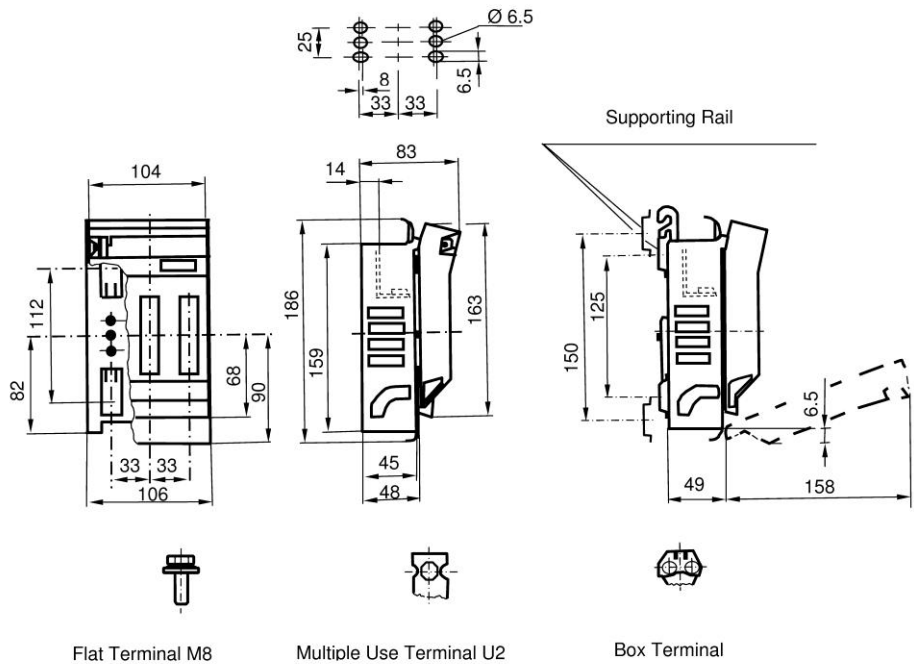


NH-Latr 00 G4G4 160A Horizontal 3P Switch

NZI Part No: 530409
Efen Part Number : 34507.0000
Flat Terminal M8 Top & Bottom.
Base Plate Mounting

HQ & FACTORY
THOMAS STREET
PO BOX 5 TEMUKA 7948
T +64 3 615 0085

AUCKLAND SALES OFFICE
2/40 ARRENWAY DRIVE
ROSEDALE 0651
T +64 9 479 4794



For LV fuse links acc. To DIN 43620/1 ¹	Size	00	1	2
Rated operational current I_e	A	160	250	400
Conventional free air thermal current I_{th}	A	160	250	400
Rated operational voltage U_e	V	690	690	690
Rated insulation voltage U_i	V	800	800	800
Rated impulse withstand voltage U_{imp}	kV	8	8	8
Rated conditional short circuit current (When protected by fuse links)	kA	50	50	50
Weight without fuse links	Kg	0.65	2.10	3.25
Utilisation category IEC/EN 60 947/3	$U_e = 400\text{ V}$	AC-22B	AC-22B	AC-22B
	$U_e = 690\text{ V}$	AC-21B	AC-21B	AC-21B
	$U_e = 440\text{ V}^3$	DC-21B	DC-21B	DC-21B
Permissible ambient air temperature	°C	-25 up to +55		
Mechanical Durability	Cycles	1000	1000	1000

¹ When using gR-Fuse-Links (VDE 0636/23), please ask for information
² Size 00 $I_e = 100\text{ A}$