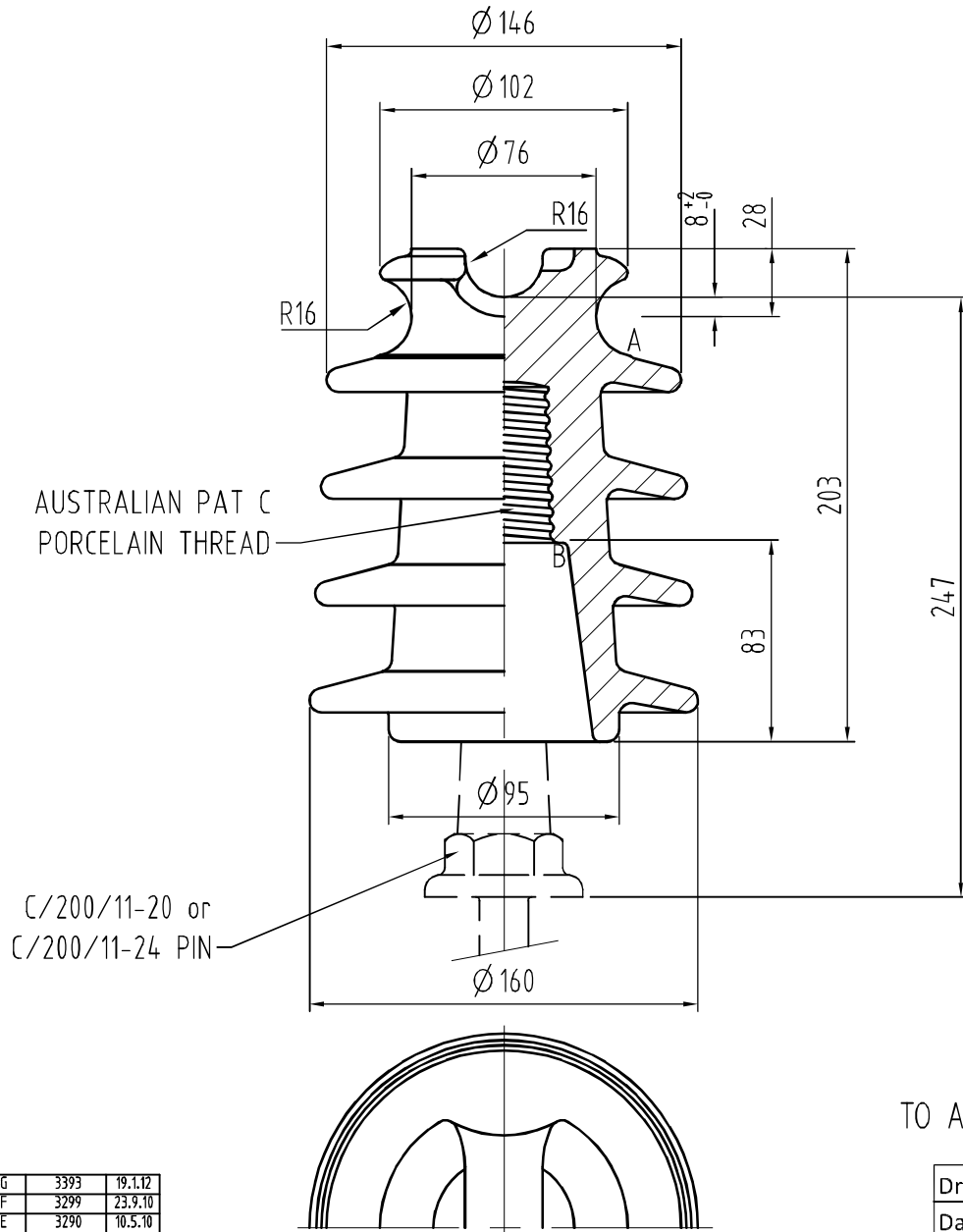


ALL DIMENSIONS IN MILLIMETRES - DO NOT SCALE - IF IN DOUBT PLEASE ASK



Technical Specification

ELECTRICAL CHARACTERISTICS

	DESIGNED VALUES
a. Nominal System Voltage	22 kV
b. Min. impulse withstand	150 kV
c. Min. wet withstand ( power frequency )	50 kV
d. Min. puncture ( power frequency )	160 kV

MECHANICAL CHARACTERISTICS

a. Min. cantilever strength	11 kN
b. Nominal creepage distance A-B	450 mm
c. Protected creepage distance	195 mm
d. Flashover distance	210 mm
Pollution Performance N° ( ESAA Publication D (b) 19-1975 )	= 10.9

TO AS 2947

G	3393	19.1.12
F	3299	23.9.10
E	3290	10.5.10
D	2113	24.9.97
C	1985	27.3.96
B	CAD	27.3.96
Issue	Mod. No.	Date

Drawn J. Bain  
Date 27.3.1996



NEW ZEALAND INSULATORS



TEMUKA

NEW ZEALAND INSULATORS LTD  
Tel: +64-3-687 8100  
Fax: +64-3-615 8125  
e-mail: sales@nzinsulators.co.nz

Cat. N°. ALP22/450  
WITH AS 1154 Pat. C PORCELAIN THREAD

S2466-1/G