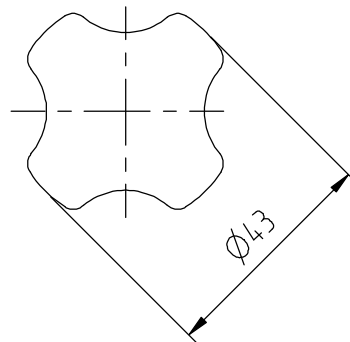
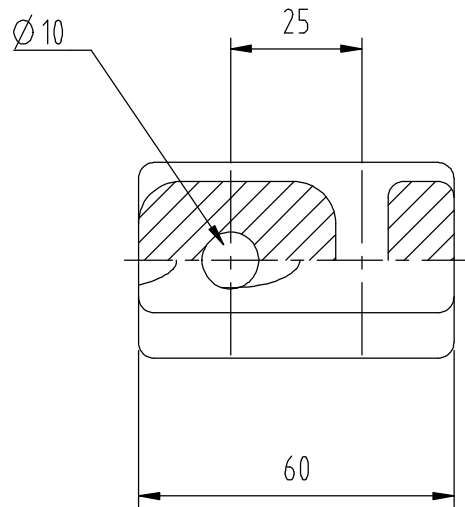


ALL DIMENSIONS IN MILLIMETRES - DO NOT SCALE - IF IN DOUBT ASK



Technical Specification

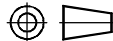
	DESIGNED VALUES
Power Frequency flashover voltage - dry	10 kV
Power Frequency flashover voltage - wet	4 kV

Issue	Mod. No.	Date

Drawn J. Bain  
Date 18.3.1996

 **NZ Insulators Ltd.**

New Zealand Insulators Ltd.  
Tel: +64-3-615 0085  
Fax: +64-3-615 8125  
e-mail: sales@nzinsulators.co.nz

  
FIRST ANGLE PROJECTION

Cat. N°. 107  
LOW VOLTAGE STRAIN INSULATOR

**S1515/A**