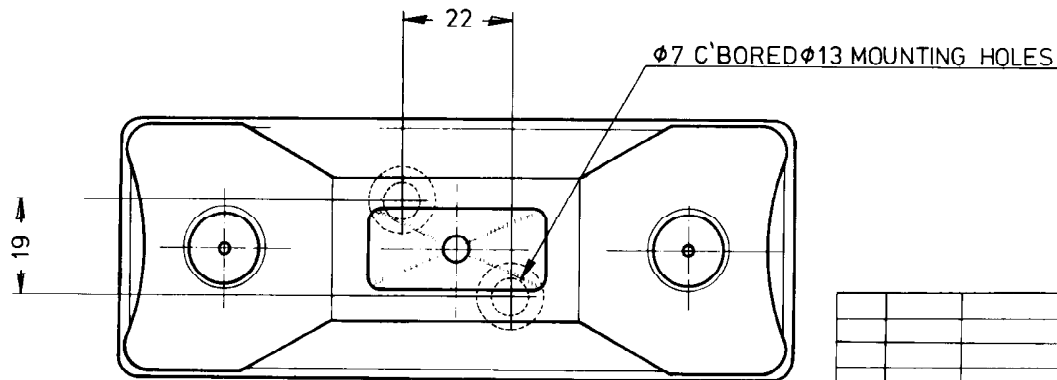
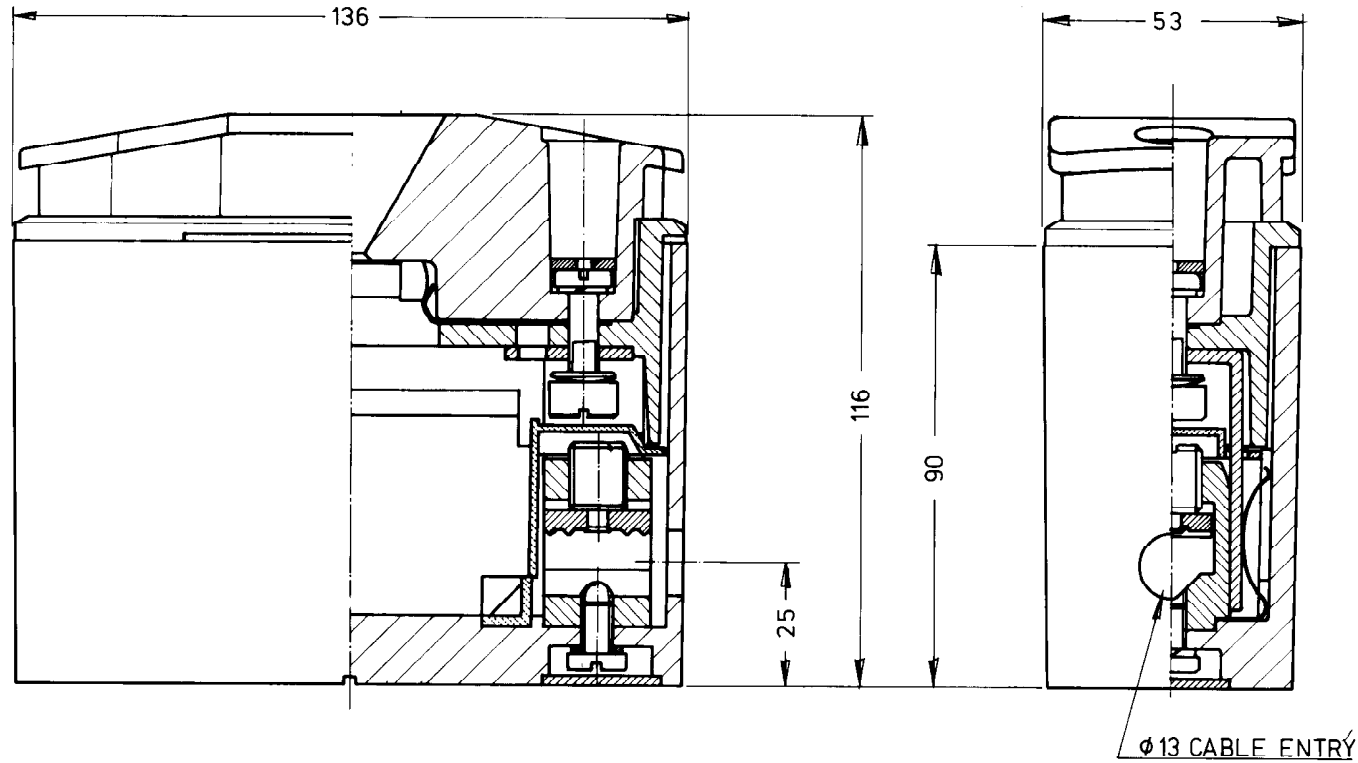


ALL DIMENSIONS IN M.M.

DO NOT SCALE - IF IN DOUBT ASK

FIRST ANGLE PROJECTION



				DRAWN <i>Ham</i>	NEW ZEALAND INSULATORS LIMITED
				CKD.	TEMUKA NEW ZEALAND
				DATE 26-1-1981	100 A 500V HRC PLASTIC FUSE CARRIER No. REQD.
				SCALE 1:1	EE/EE (DOUBLE END ENTRY) PART No.
				TOL	MATL.
ISSUE	MOD No.	MOD.	DRN	DATE	FINISH
					D778-0501/A