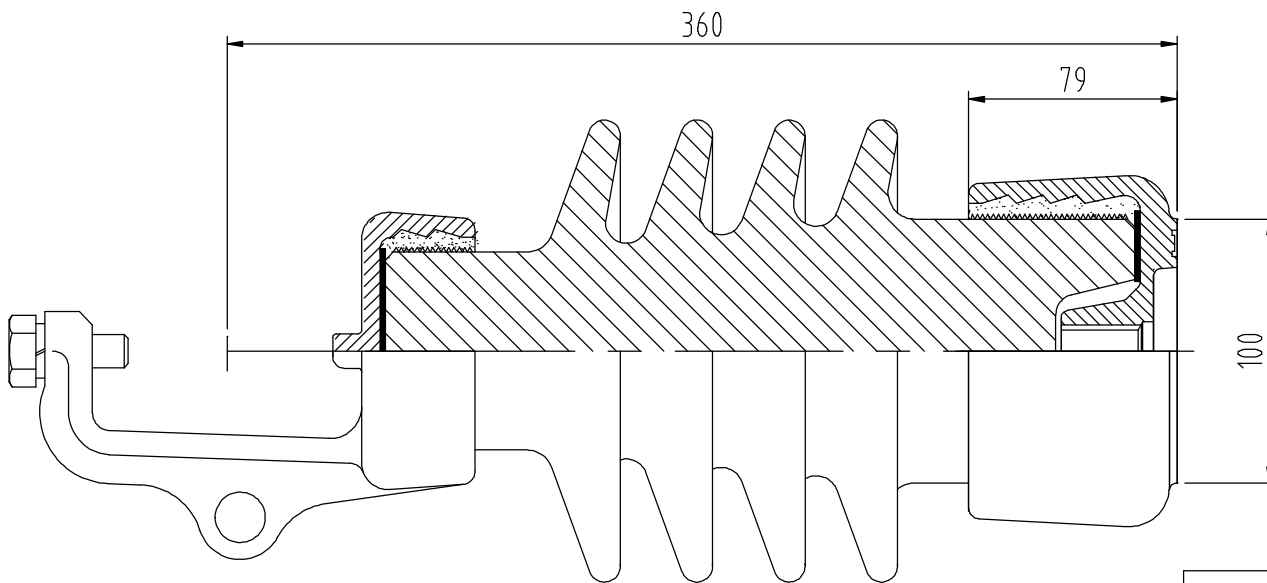


ALL DIMENSIONS IN MILLIMETRES - DO NOT SCALE - IF IN DOUBT PLEASE ASK



Technical Specification

	DESIGNED VALUES
<u>SYSTEM HIGHEST VOLTAGE</u>	12 kV
<u>WITHSTAND TEST VOLTAGES</u>	
a. Power frequency – wet	50 kV
b. Lightning impulse – dry	95 kV
<u>MINIMUM FAILING LOADS</u>	
a. Cantilever	12 kN
b. Torsion	– Nm
c. Tension	18 kN
<u>CREEPAGE DISTANCES</u>	
a. Total	380 mm
b. Protected	130 mm
c. Flashover	200 mm

B	3494	16.1.13
Issue Mod. No.	Date	

Drawn J. Bain
Date 21.7.1992

NEW ZEALAND INSULATORS



TEMUKA

NEW ZEALAND INSULATORS LTD
Tel: +64-3-687 8100
Fax: +64-3-615 8125
e-mail: sales@nzinsulators.co.nz



12kV HORIZONTAL LINE POST

D725-0510/B