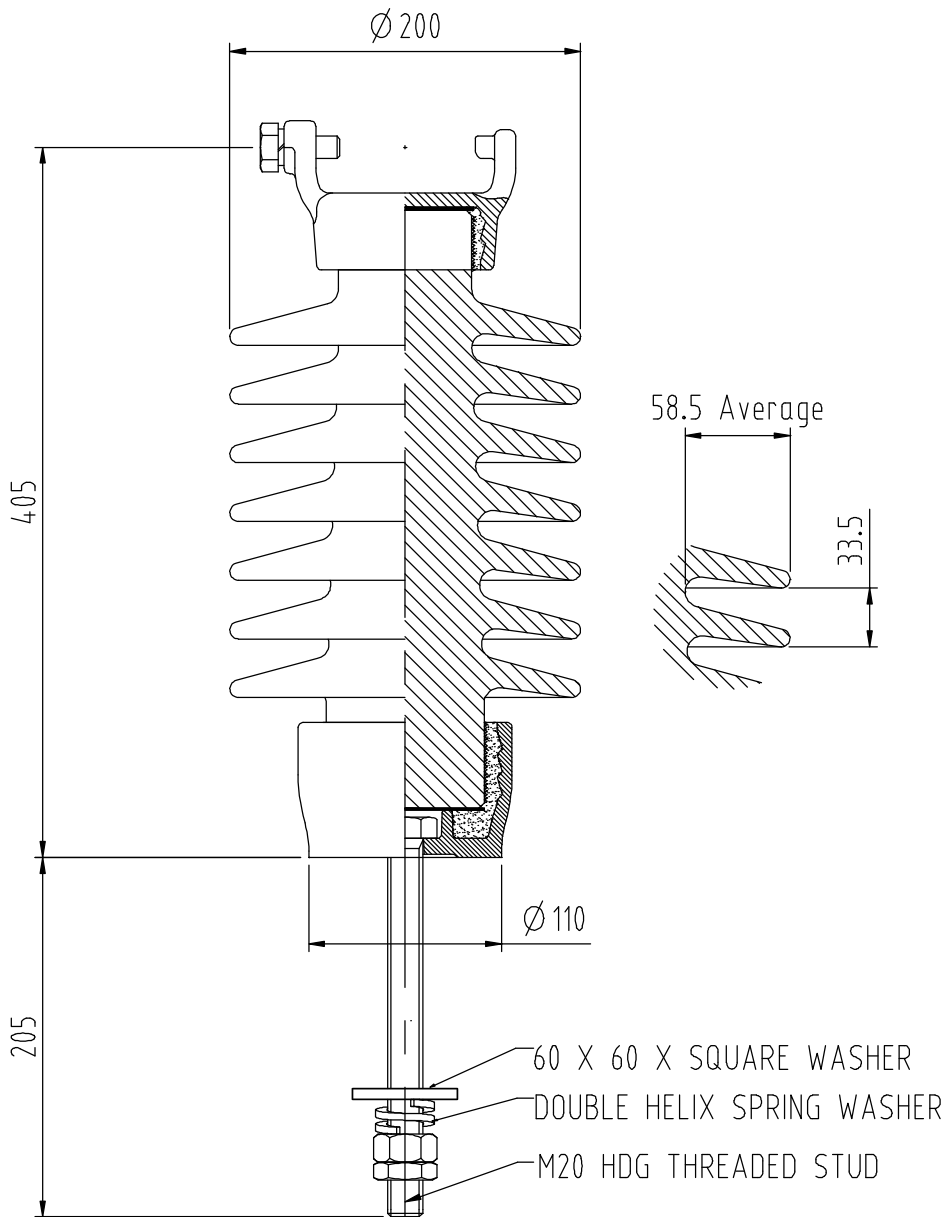


ALL DIMENSIONS IN MILLIMETRES - DO NOT SCALE - IF IN DOUBT ASK



Technical Specification

	DESIGNED VALUES
<u>SYSTEM HIGHEST VOLTAGE</u>	36 kV
<u>WITHSTAND TEST VOLTAGES</u>	
a. Power frequency – wet (Vertical)	84 kV
b. Power frequency – wet (Horizontal)	99 kV
c. Power frequency – dry	112 kV
d. Lightning Impulse – dry (Calculated)	200 kV
<u>FLASHOVER TEST VOLTAGES</u>	
a. Power frequency – wet (Vertical)	89 kV
b. Power frequency – wet (Horizontal)	113 kV
c. Power frequency – dry	122 kV
<u>MINIMUM FAILING LOADS</u>	
a. Cantilever (Upright)	10 kN
<u>CREEPAGE DISTANCES</u>	
a. Total	940 mm
b. Protected	335 mm
c. Flashover	300 mm
Gross weight	15.5 kg

Issue	Mod. No.	Date
C	3486	11.1.13
B	3453	9.10.12

Drawn J. Bain

Date 16.11.2011



FIRST ANGLE PROJECTION

NEW ZEALAND INSULATORS



TEMUKA

NEW ZEALAND INSULATORS LIMITED
Tel: +64-3-687 8100
Fax: +64-3-615 8125
e-mail: sales@nzinsulators.co.nz

36kV CLAMP TOP LINE POST
FIXED LENGTH STUD TYPE

D724-0524/C