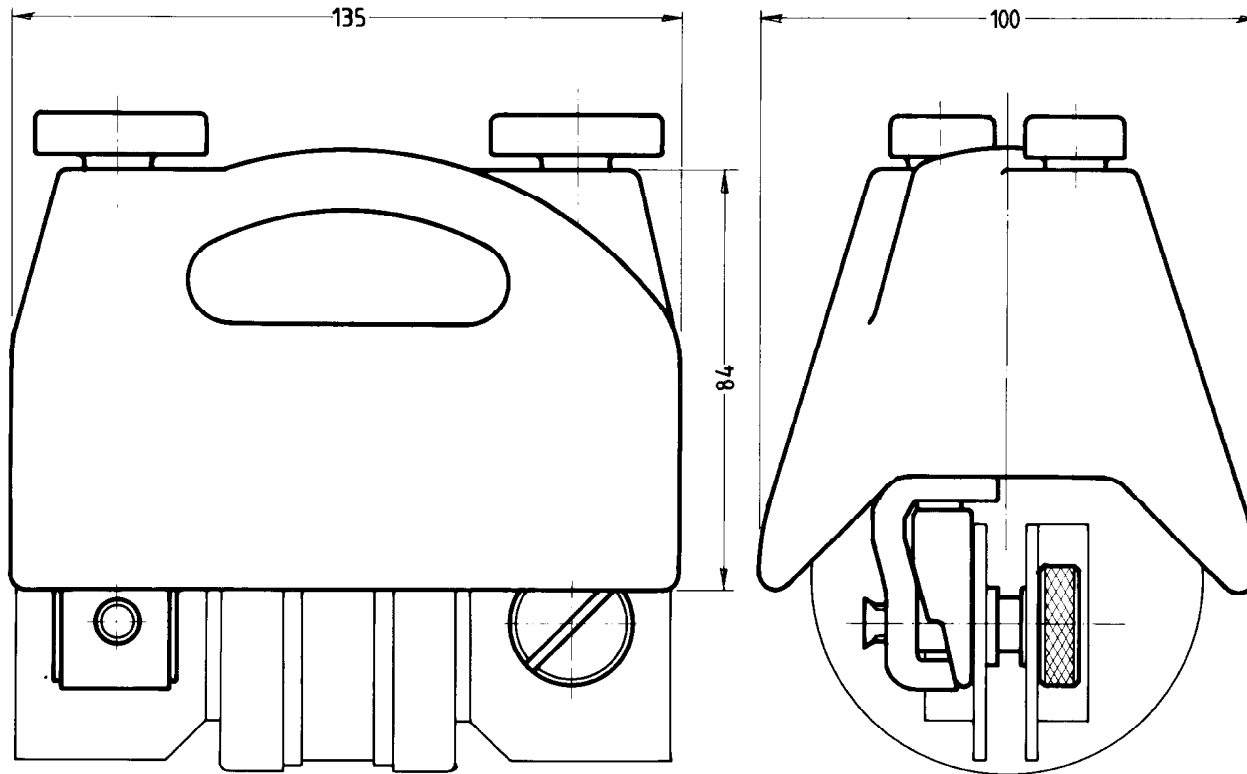


ALL DIMENSIONS IN M.M

DO NOT SCALE - IF IN DOUBT ASK

FIRST ANGLE PROJECTION



Technical Specification

| | | | | | | | |
|-------|---------|------|-----|------|-----------------|---------------------------------------|-------------|
| | | | | | DRAWN <i>MD</i> | NEW ZEALAND INSULATORS LIMITED | |
| | | | | | CKD. | TEMUKA | NEW ZEALAND |
| | | | | | DATE 27-6-1983 | Cat No 3625-7 | No REOD. |
| | | | | | SCALE 1:1 | 3 5/8" Shrouded thru-grip handle. | PART No |
| | | | | | TOL | MATL: — | D713-0501/B |
| ISSUE | MOD No. | MOD. | DRN | DATE | FINISH | | |