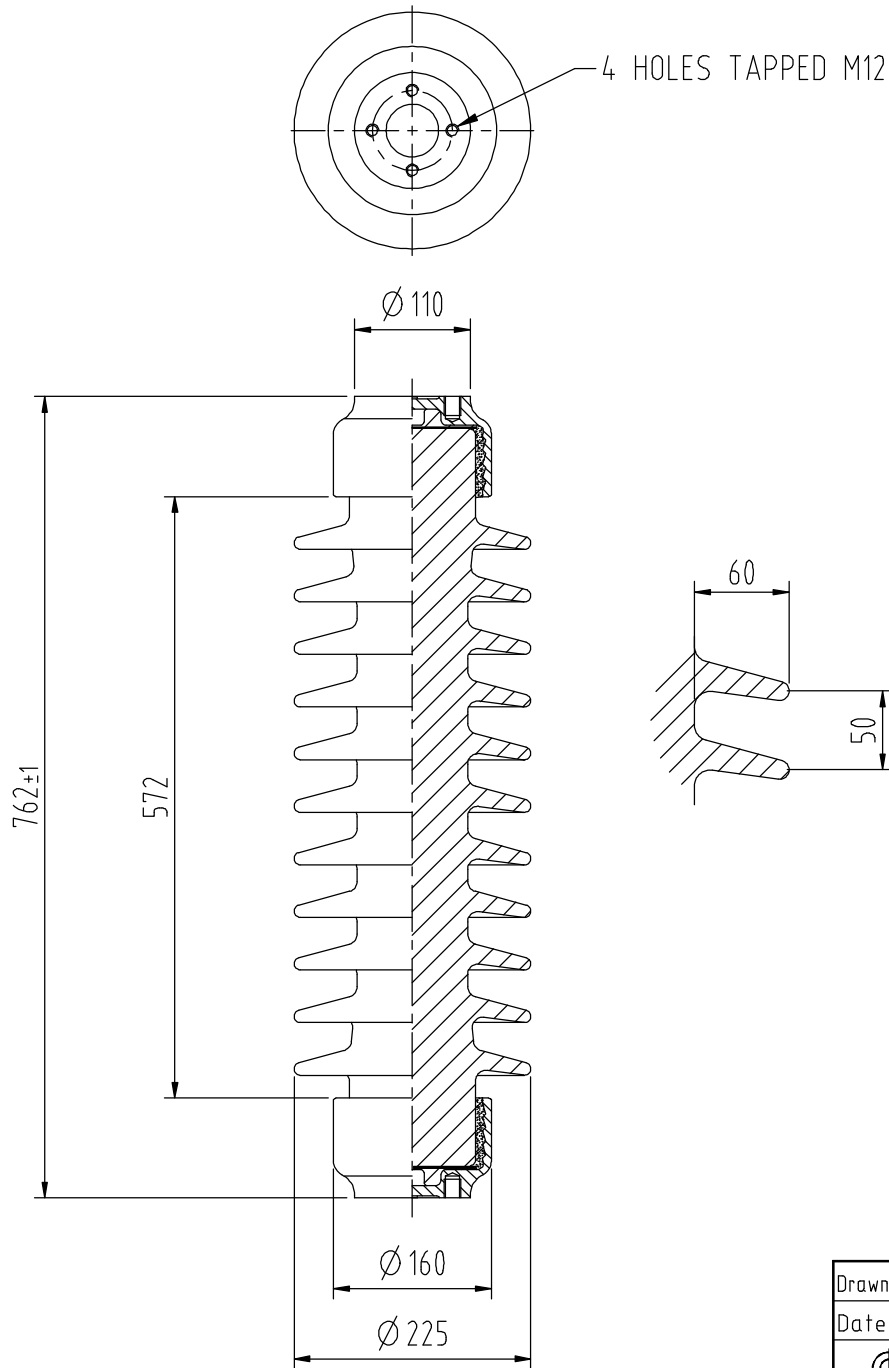


ALL DIMENSIONS IN MILLIMETRES - DO NOT SCALE - IF IN DOUBT ASK



Technical Specification

	DESIGNED VALUES
<u>SYSTEM HIGHEST VOLTAGE</u>	72.5 kV
<u>WITHSTAND TEST VOLTAGES</u>	
a. Power frequency – wet	140 kV
b. Lightning impulse – dry	325 kV
<u>MINIMUM FAILING LOADS</u>	
a. Cantilever	8 kN
b. Torsion	2000 Nm
c. Tension	50 kN
<u>CREEPAGE DISTANCES</u>	
a. Total	1600 mm
b. Protected	590 mm
c. Flashover	600 mm

Pollution Performance N° (ESAA Publication D (b) 19-1975) = 10.1

C	3118	7.7.04
B	REDRN	30.7.01
Issue	Mod. No.	Date

Drawn J. Bain
Date 26.1.1999



NZ Insulators Ltd.

New Zealand Insulators Ltd.
Tel: +64-3-615 0085
Fax: +64-3-615 8125
e-mail: sales@nzinsulators.co.nz

72.5kV STATION POST INSULATOR
NZI Cat. N°. 0872/325SP Class 2 (76PCD x M12)

D687-0588/C