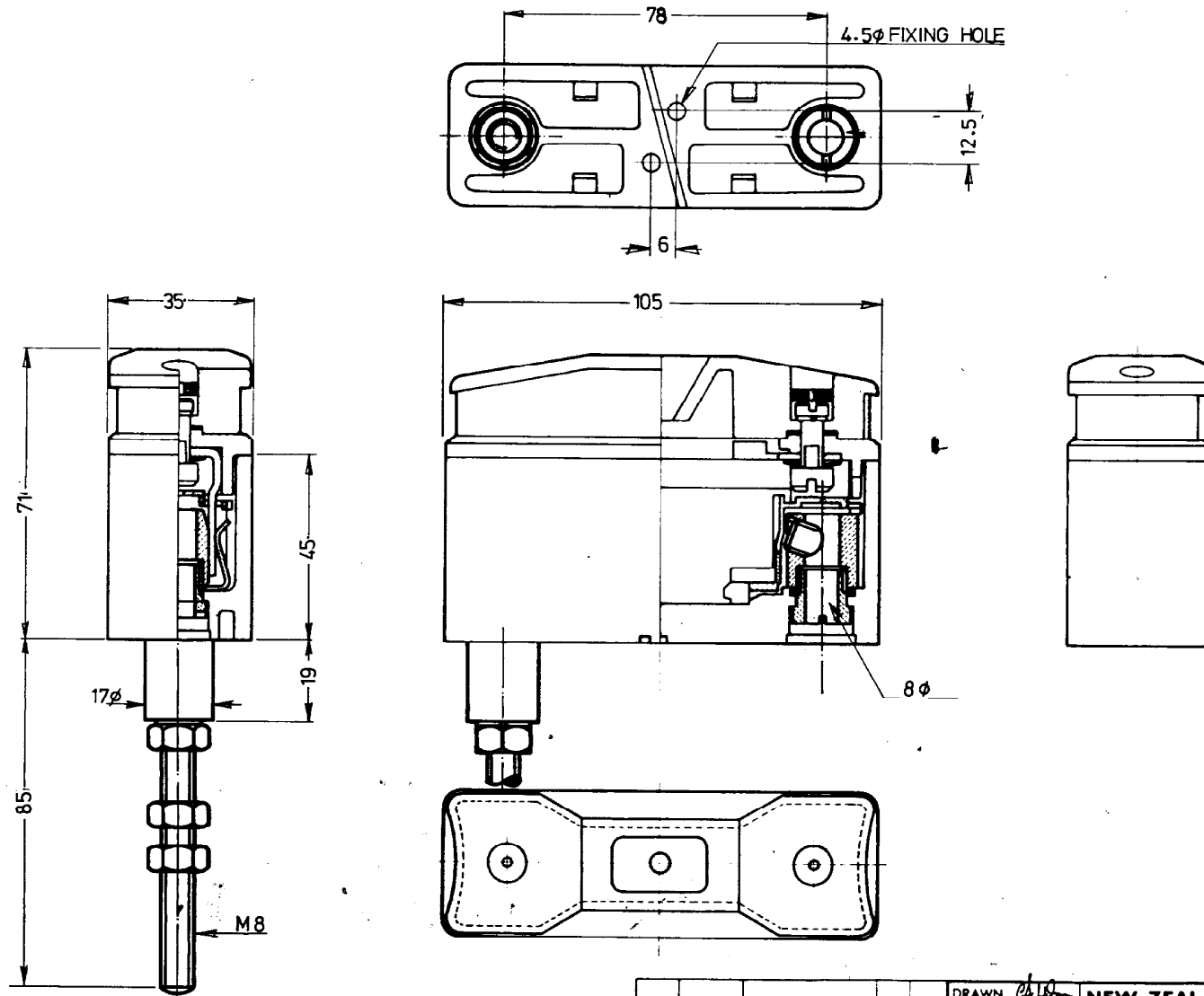


ALL DIMENSIONS IN M M

DO NOT SCALE -- IF IN DOUBT ASK

FIRST ANGLE PROJECTION



				DRAWN <i>ef</i>	NEW ZEALAND INSULATORS LIMITED	
				CKD	TEMUKA	NEW ZEALAND
				DATE 16-12-77	63 Amp 500 Volt HRC Fuse	No. REQD. _____
				SCALE 1:1	Back stud / Back entry	PART No. _____
				TOL	MATL	
ISSUE	MOD No	MOD	DRN DATE		FINISH	D678-0506/G