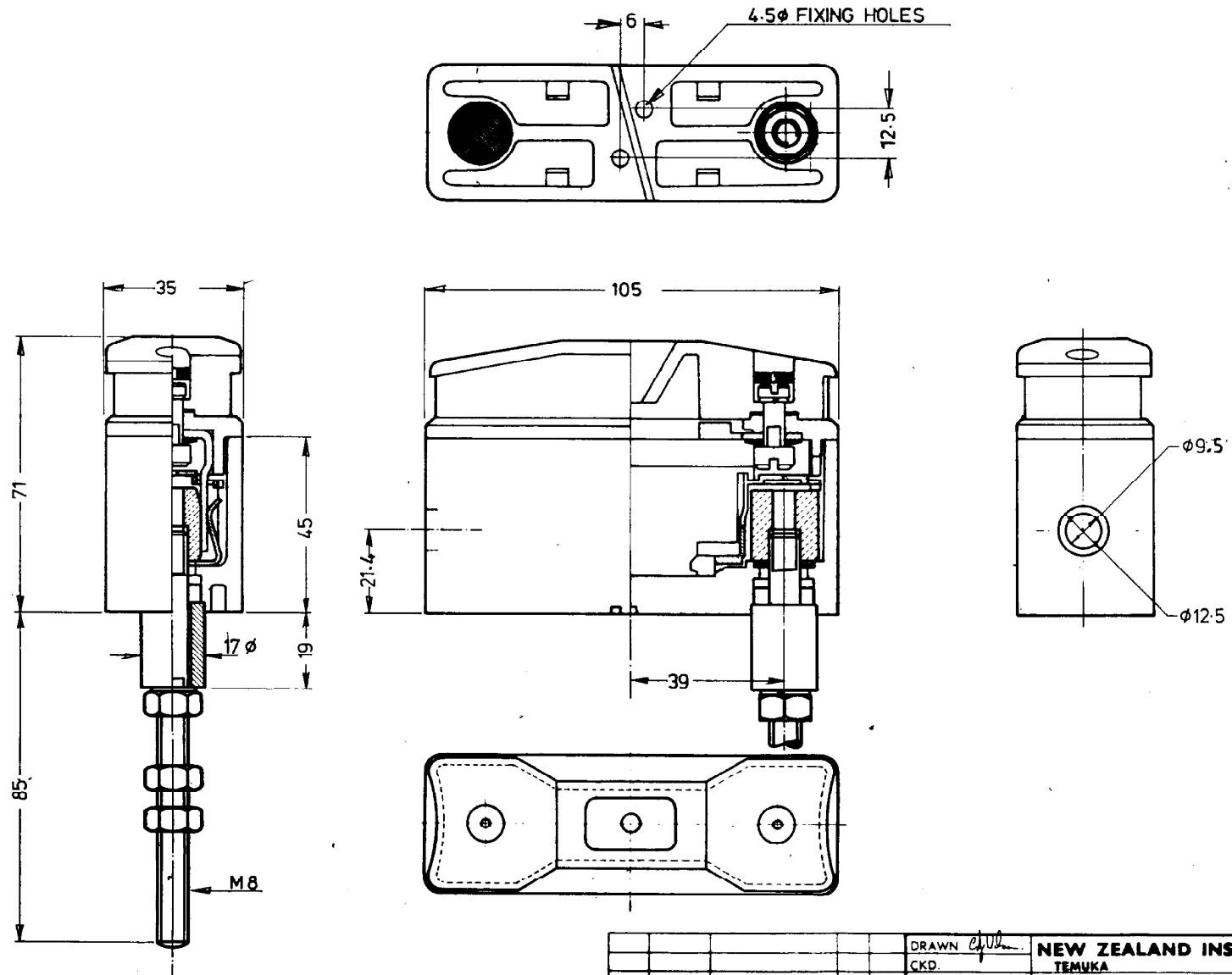


ALL DIMENSIONS IN M.M

DO NOT SCALE — IF IN DOUBT ASK

FIRST ANGLE PROJECTION



					DRAWN <i>ef</i>	NEW ZEALAND INSULATORS LIMITED	
					CKD.	TEMUKA	NEW ZEALAND
					DATE 16-12-77	63 Amp 500 Volt HRC Fuse	No. REQD.
d	1095				SCALE 1:1	Back stud / Front wiring	PART No.
c	965			IC 23-77	TOL	MATL.	
ISSUE	MOD No.	MOD.	DRN	DATE		FINISH	D678-0505/d