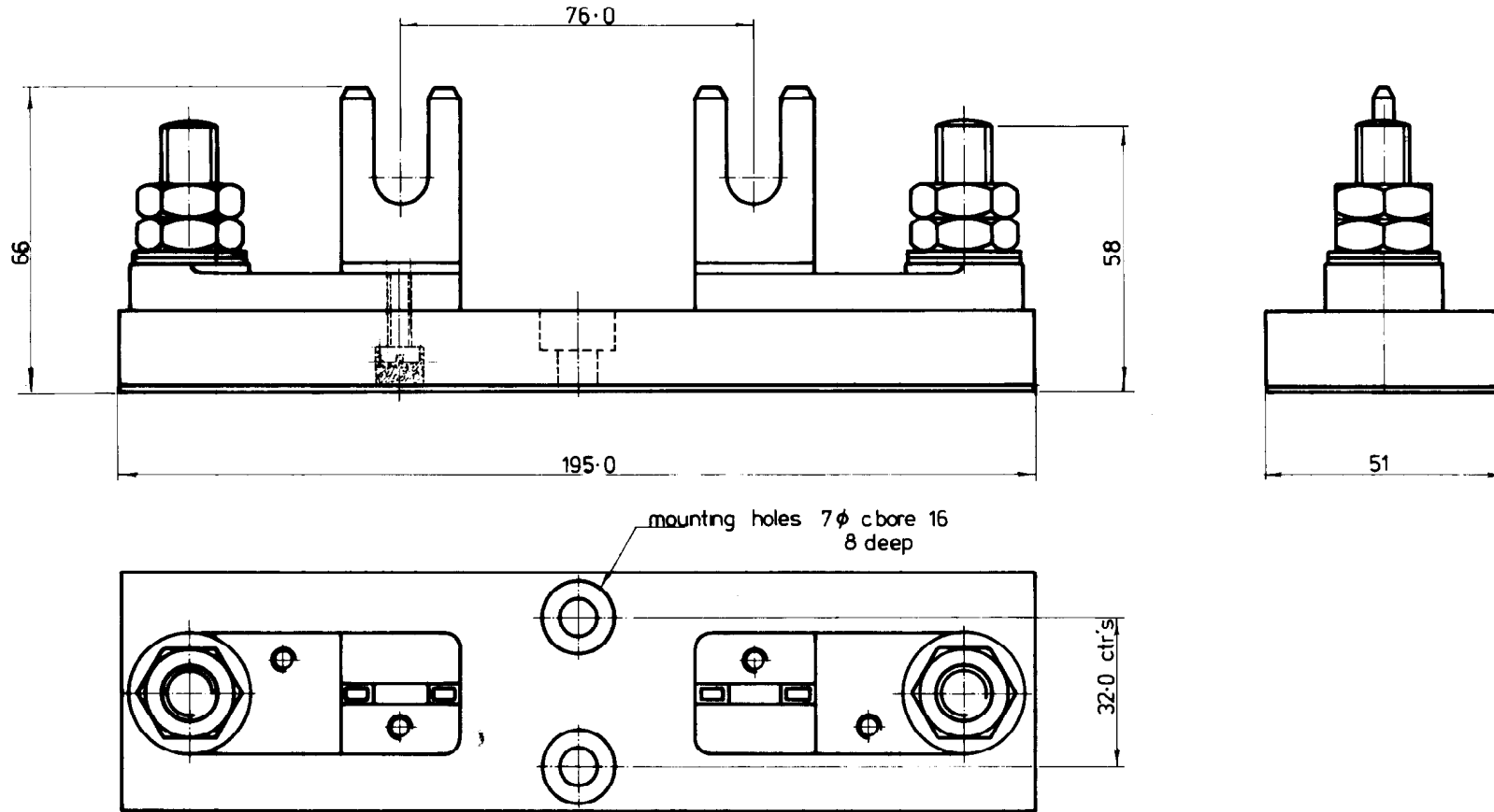


ALL DIMENSIONS IN mm

DO NOT SCALE - IF IN DOUBT ASK

FIRST ANGLE PROJECTION



					DRAWN <i>[Signature]</i>	NEW ZEALAND INSULATORS LIMITED	
					CKD.	TEMUKA	NEW ZEALAND
					DATE 26-2-76	Cat 300-8	No. REQD. —
					SCALE 1:1		PART No. —
DRG N° WAS D637-0502					TOL	MATL. —	D636-0504.B
ISSUE MOD No.	MOD.	ORN	DATE		FINISH —		