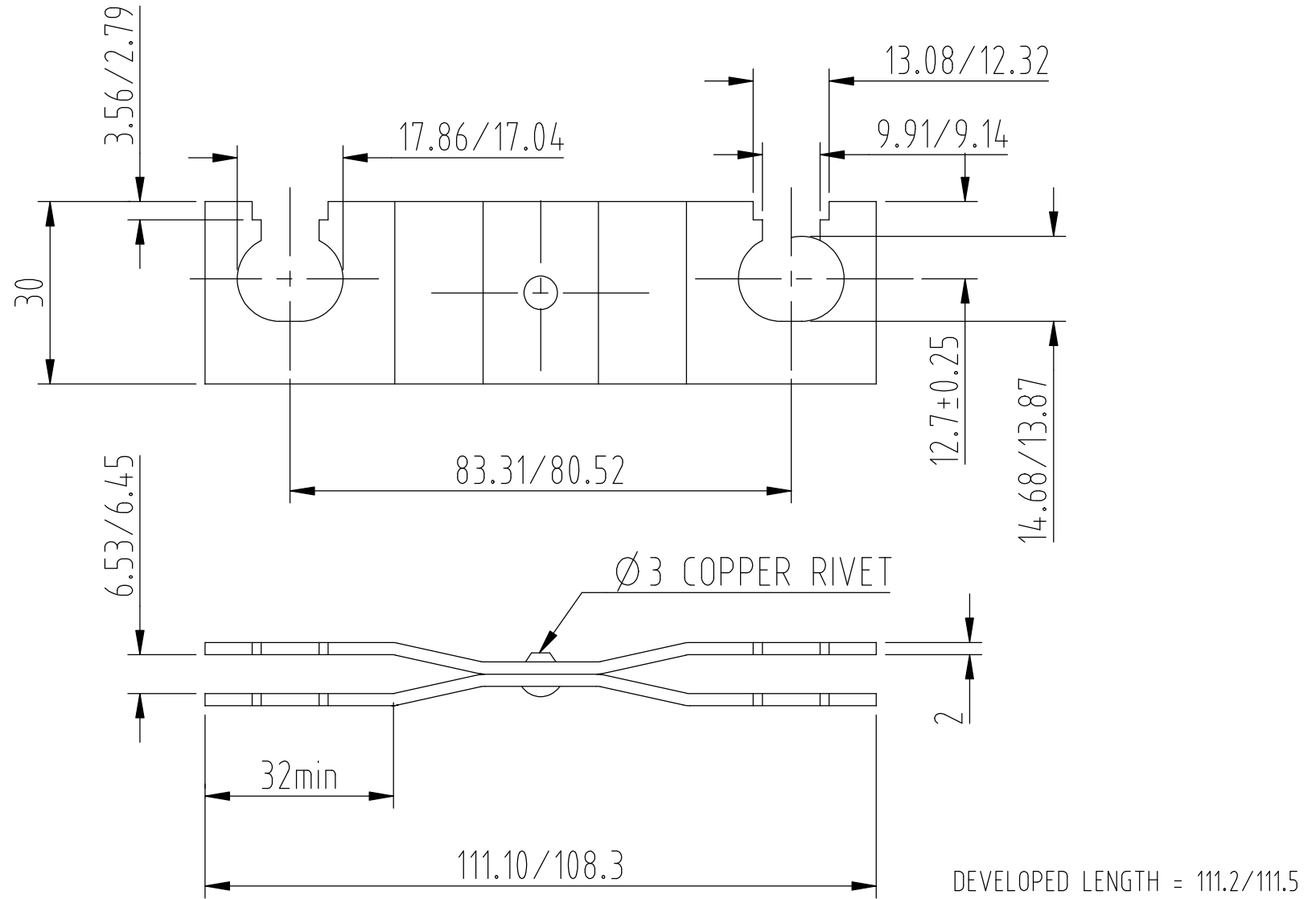


ALL DIMENSIONS IN MILLIMETRES - DO NOT SCALE - IF IN DOUBT ASK



Issue	Mod.N°	Date	Casting Drg.N°	EDP N°
C	2807	23.5.00	Material COPPER STRIP	Finish
B	2174	7.8.98	Tolerance - unless otherwise noted ±	0.25

Drawn J.Bain
Date
FIRST ANGLE PROJECTION

NZI NZ Insulators Ltd.

New Zealand Insulators Ltd.
Tel: +64-3-615 0085
Fax: +64-3-615 8125
e-mail: sales@nzinsulators.co.nz

325WF SLOTTED SHORTING LINK
400 Amp max.

D520-1001/C