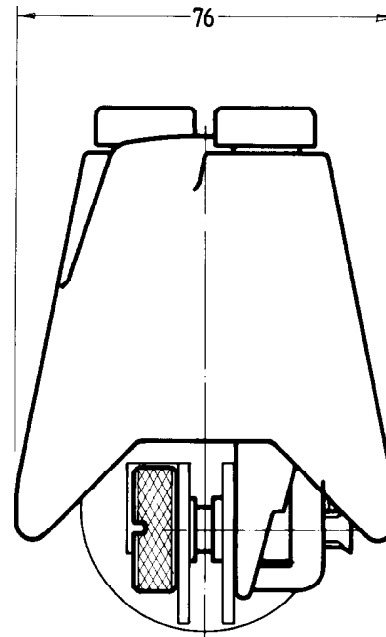
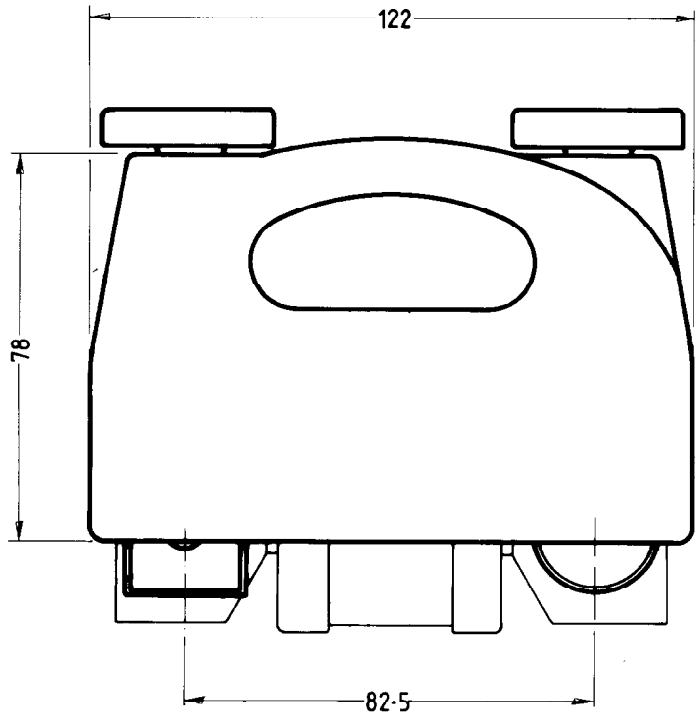


ALL DIMENSIONS IN M.M

DO NOT SCALE - IF IN DOUBT ASK

FIRST ANGLE PROJECTION



Technical Specification

				DRAWN <i>dyd</i>	NEW ZEALAND INSULATORS LIMITED
				CKD	TEMUKA NEW ZEALAND
				DATE 27-6-1983	Cat No 325-7 No REQD.
				SCALE 1:1	3 1/4" Thru grip shrouded carrier PART No.
				TOL	MATL. - FINISH -
ISSUE	MOD No.	MOD.	ORN	DATE	D520-0504/B