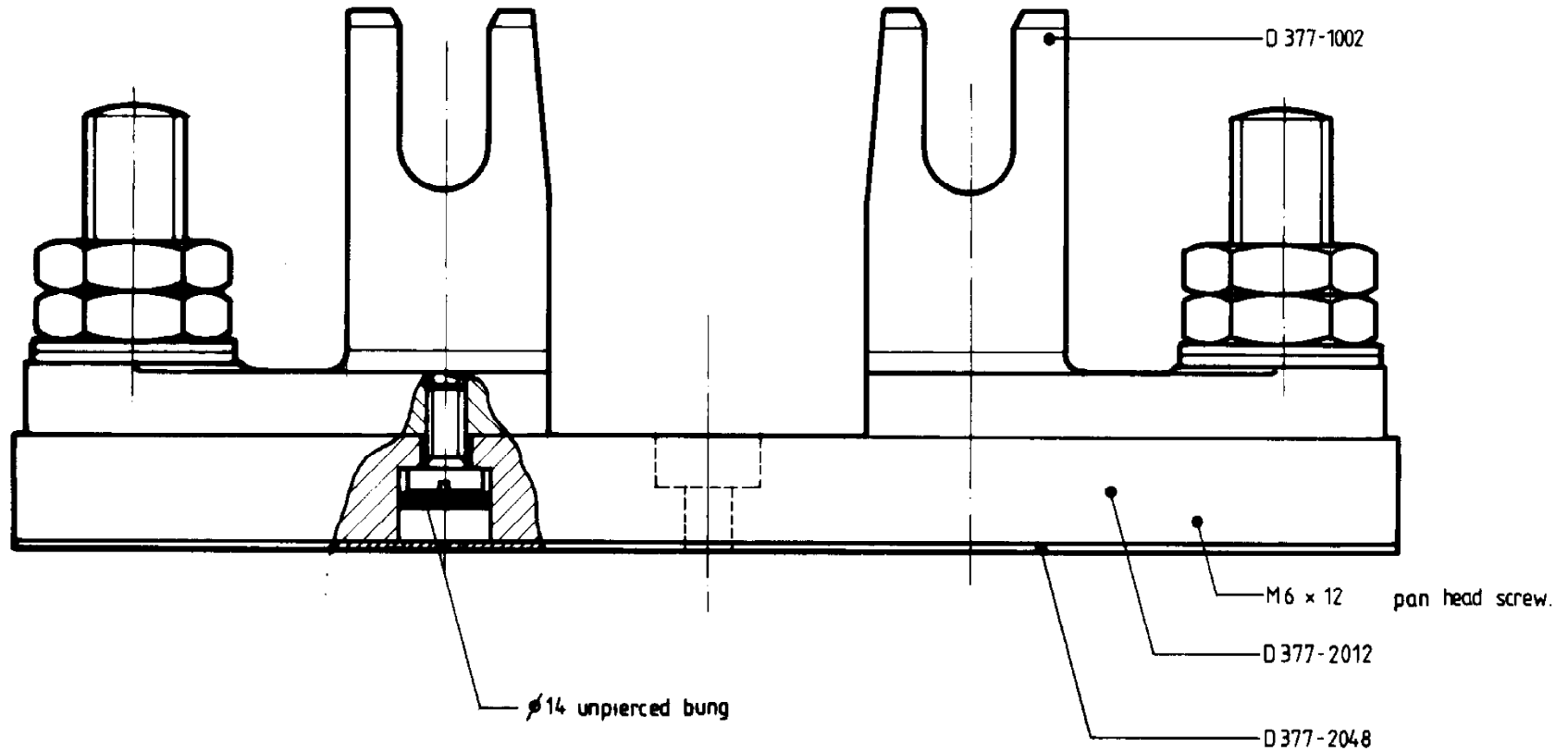


ALL DIMENSIONS IN mm

DO NOT SCALE - IF IN DOUBT ASK

FIRST ANGLE PROJECTION



- FINISH NOTES**
- 1 ALL MACHINED SURFACES TO BE FLAT AND FREE FROM BLEMISHES AND TO HAVE A SURFACE FINISH AS NOTED OR BETTER.
 - 2 ALL CORNERS AND SHARP EDGES TO BE ROUNDED OFF.
 - 3 CASTINGS TO BE NONPOROUS WHEN PRESSURE TESTED TO 275 kPa (40psi) AFTER MACHINING.

Issue	Mod No	MOD	Drn	Date

Drawn	<i>of 10</i>
Ckd	
Date	22-4-1985
Scale	1:1
Gen Tolerance	

NEW ZEALAND INSULATORS LTD.	
TEMUKA	NEW ZEALAND
Cat 325-8 W.F. Base assy	EDP No 469858
Material —	D377-1009 / D
Finish —	