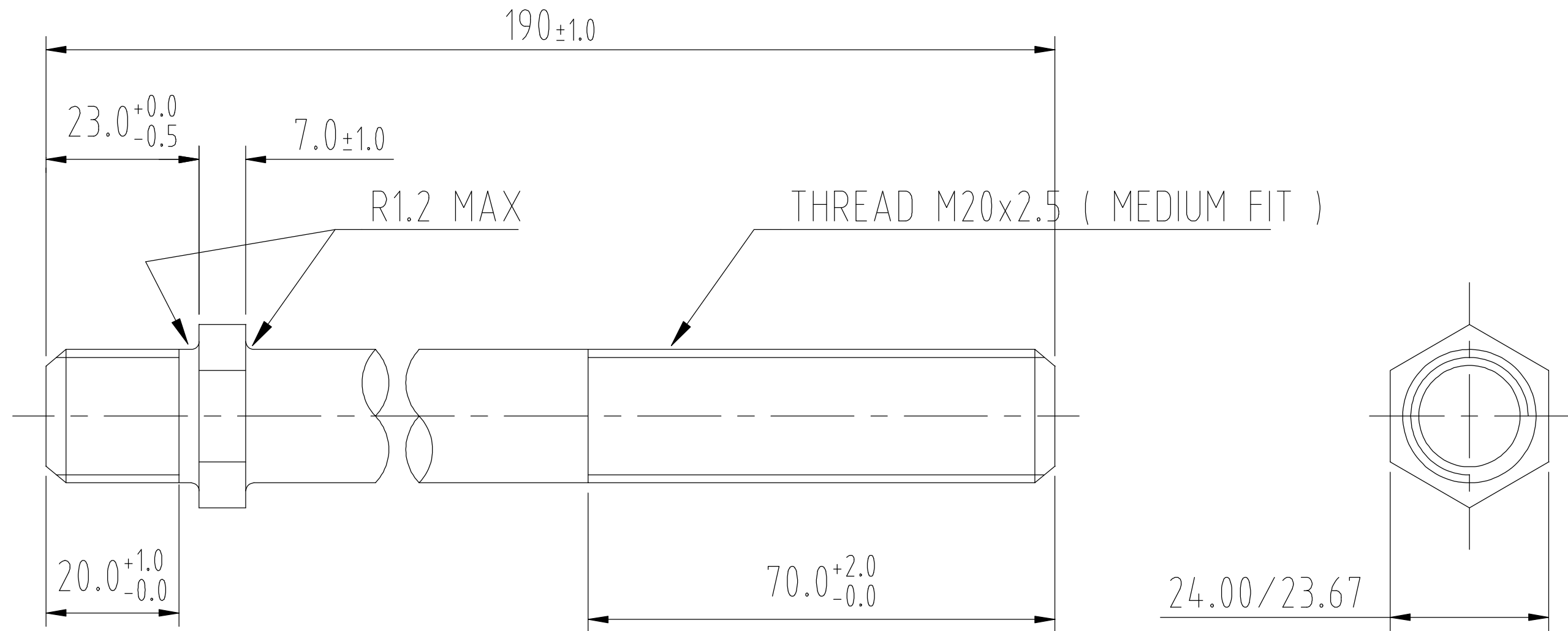


ALL DIMENSIONS IN MILLIMETRES – DO NOT SCALE – IF IN DOUBT ASK



COMPLETE METALWORK KIT

1 x M20 HDG FLAT WASHER (461781)

2 x M20 HDG FULL HEX NUT (463434)

				Drawn J.Bain	NZI NZ Insulators Ltd.	New Zealand Insulators Ltd. Tel: +64-3-615 0085 Fax: +64-3-615 8125 e-mail: sales@nzinsulators.co.nz
				Date 19.12.1985		
			Material GRADE 4.6 STEEL	 FIRST ANGLE PROJECTION	LINE POST STUD M20 x 160	D330-2022/C
C	2977	24.7.02	Finish HOT DIP GALVANIZED			
B	CAD	20.8.97	Tolerance - unless otherwise noted ± 1.0			
Issue	Mod.N°	Date	Casting Drg.N° _____ EDP N° 462063			