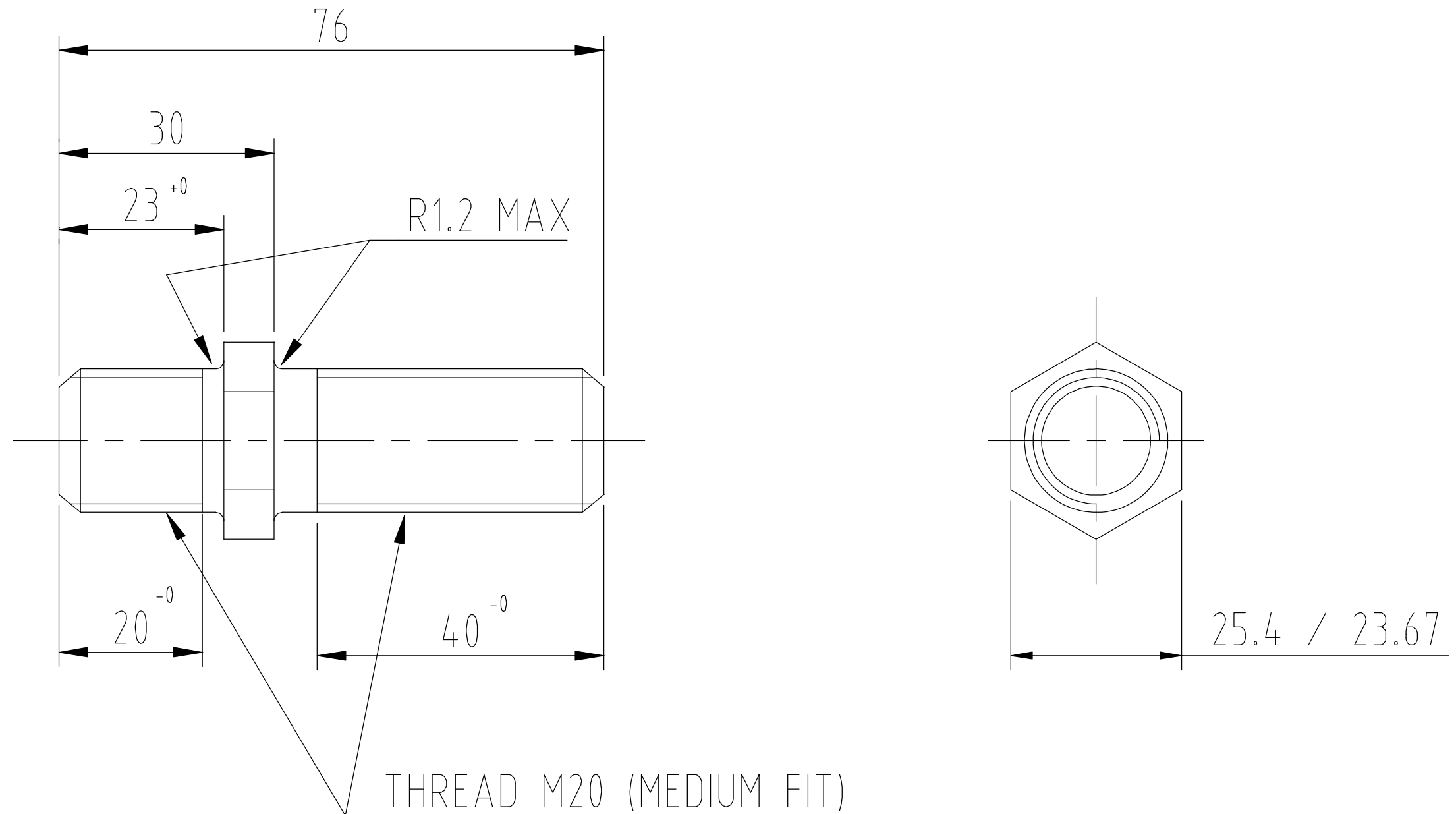


ALL DIMENSIONS IN MILLIMETRES – DO NOT SCALE – IF IN DOUBT ASK



				Drawn J.Bain	NZI NZ Insulators Ltd.	New Zealand Insulators Ltd. Tel: +64-3-615 0085 Fax: +64-3-615 8125 e-mail: sales@nzinsulators.co.nz
				Date 13.2.1986		
			Material GRADE 4.6 STEEL	<p>FIRST ANGLE PROJECTION</p>	LINE POST STUD M20 x 45	D330-2013/D
D	CAD	20.8.97	Finish HOT DIP GALVANIZED			
C	1529	27.6.89	Tolerance - unless otherwise noted ± 1.0			
Issue	Mod.N°	Date	Casting Drg.N° _____ EDP N° 462977			