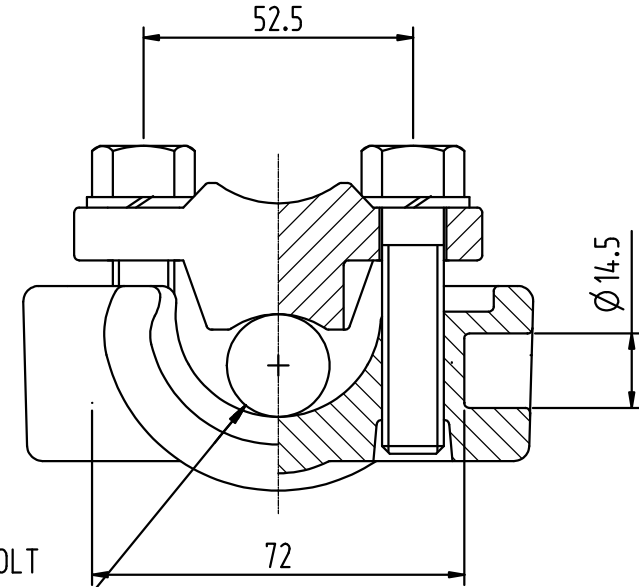
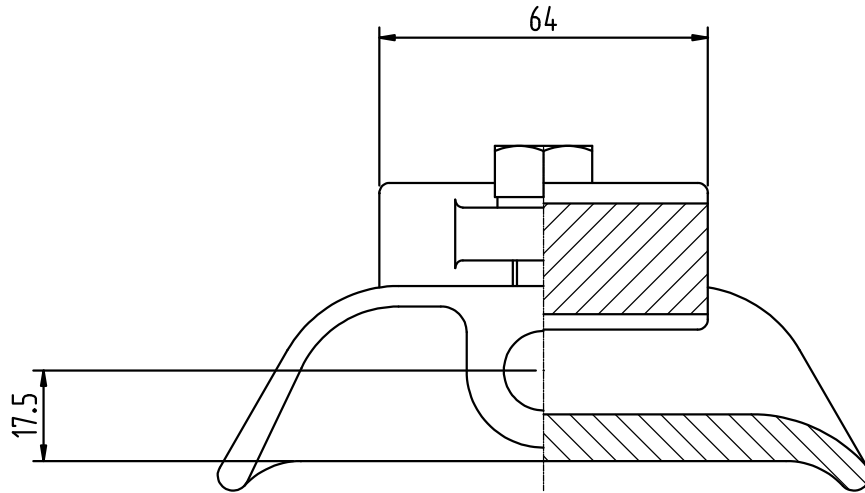
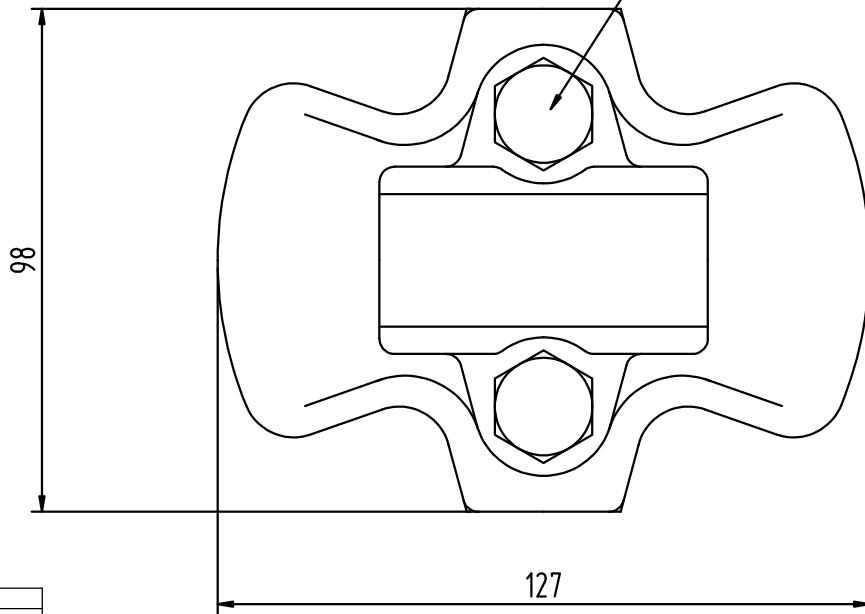


ALL DIMENSIONS IN MILLIMETRES - DO NOT SCALE - IF IN DOUBT ASK



M12x50 HEX HEAD STAINLESS STEEL BOLT

TO CLAMP CABLES FROM Ø10 TO Ø38



MATERIAL ALUMINIUM ALLOY Grade LM6

B	1982	26.3.96
Issue	Mod. No.	Date

Drawn J. Bain
Date 12.10.1993



NZ Insulators Ltd.

New Zealand Insulators Ltd.
Tel: +64-3-615 0085
Fax: +64-3-615 8125
e-mail: sales@nzinsulators.co.nz



**CONDUCTOR CLAMP ASSEMBLY
FOR USE ON LINE POST INSULATORS**

D330-0501/B