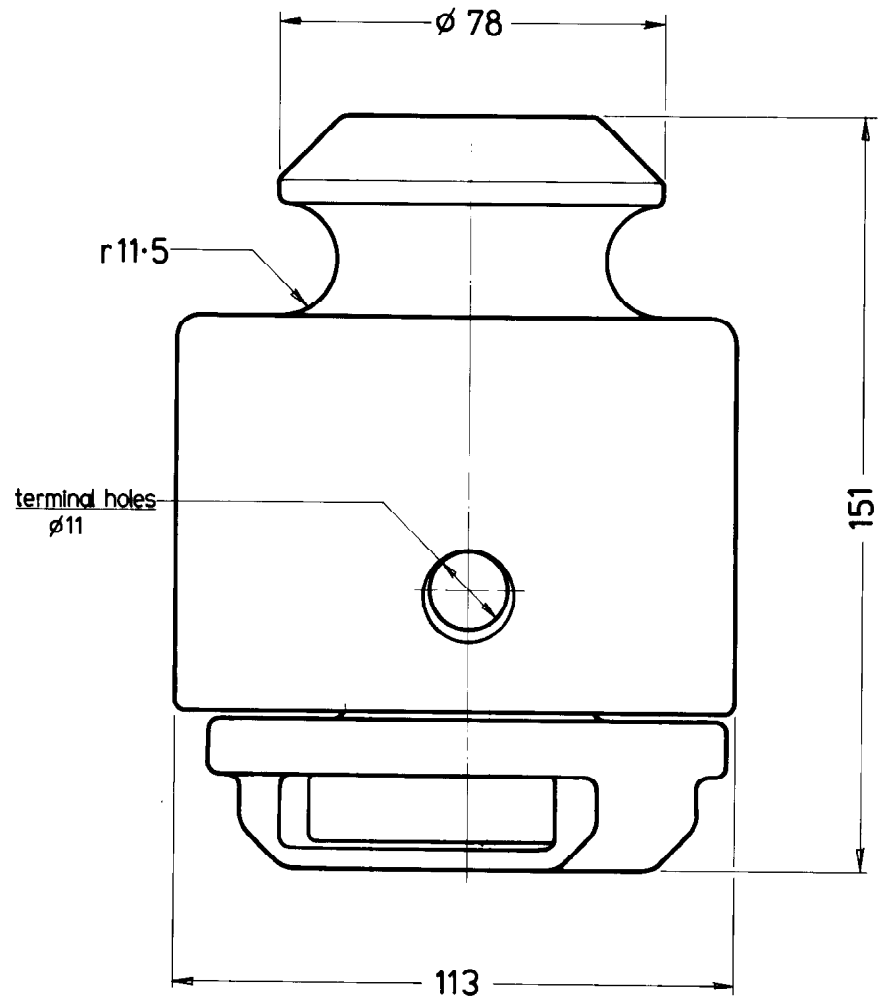
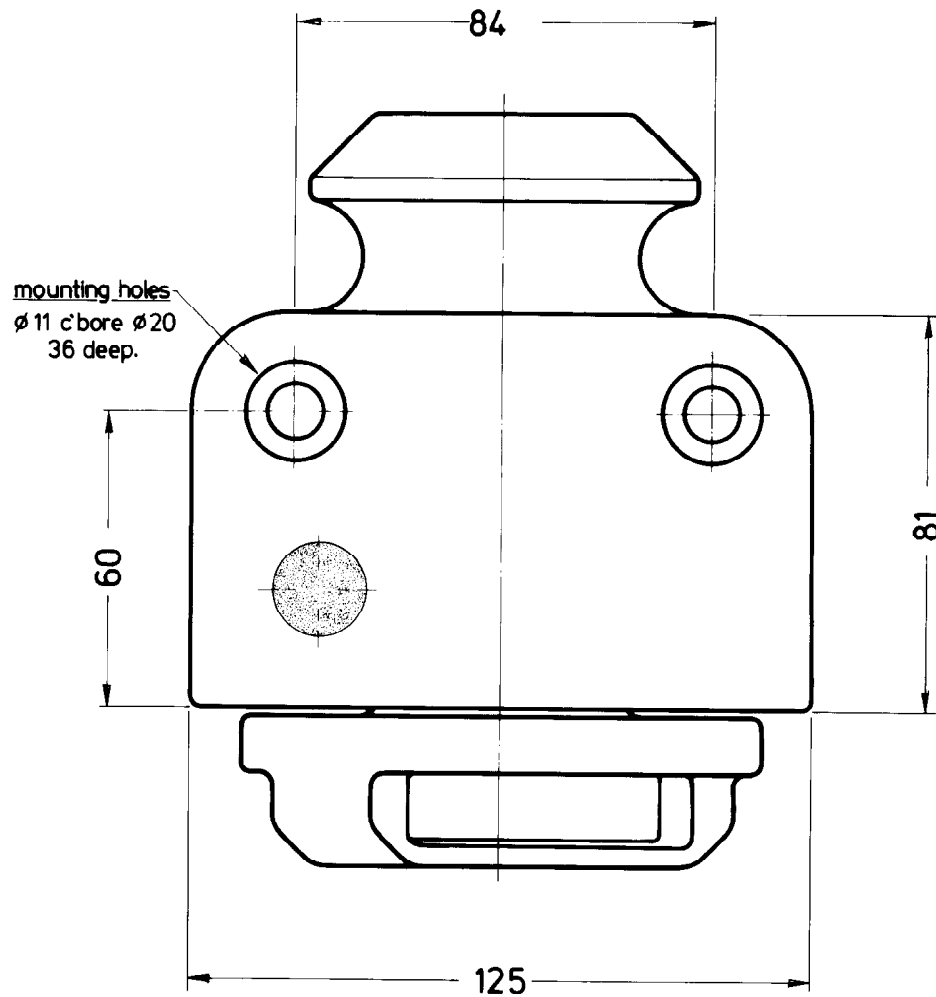


ALL DIMENSIONS IN M.M.

DO NOT SCALE - IF IN DOUBT ASK

FIRST ANGLE PROJECTION



Note.

Cut out plug can be supplied with a solid link. Specify when ordering.

					DRAWN <i>[Signature]</i> CKD. DATE 19-6-1981 SCALE 1:1 TOL ISSUE MOD No. MOD. DRN DATE	<b>NEW ZEALAND INSULATORS LIMITED</b> TEMUKA Cat 102 R/W 100 Amp Rewireable Cut-outs MATL. FINISH	No. REQD. PART No. D234-0501/A
--	--	--	--	--	---	--	--------------------------------------