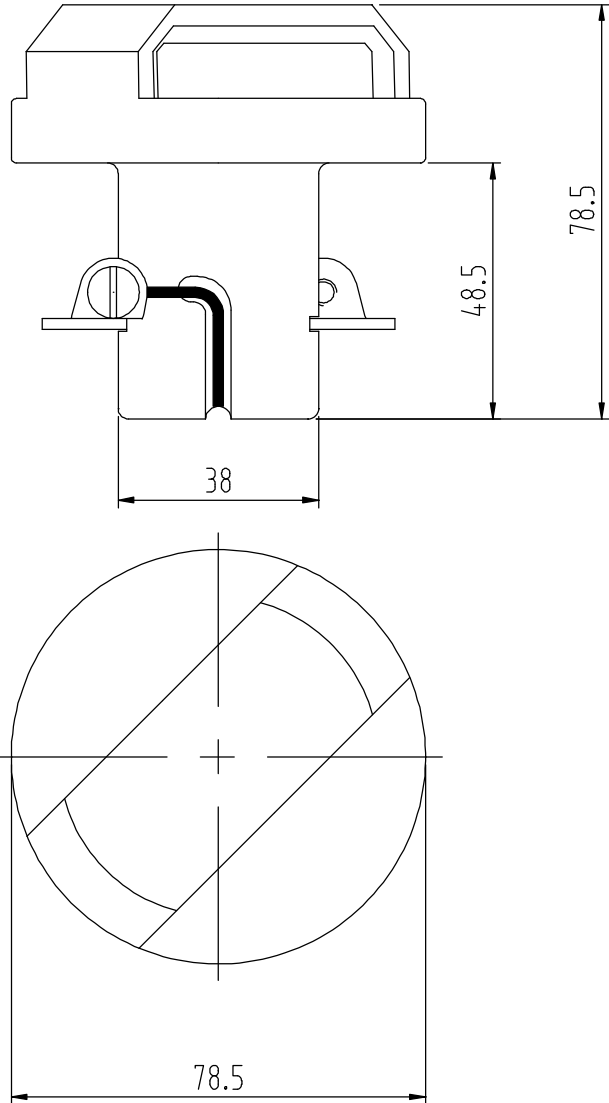


ALL DIMENSIONS IN MILLIMETRES - DO NOT SCALE - IF IN DOUBT PLEASE ASK



UNIT WEIGHT 380GMS

| Issue | Mod. No. | Date |
|-------|----------|------|
| | | |
| | | |
| | | |
| | | |

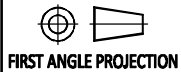
Drawn J. UDEN
Date 03.09.2012

NEW ZEALAND INSULATORS



TEMUKA

NEW ZEALAND INSULATORS LTD
Tel: +64-3-687 8100
Fax: +64-3-615 8125
e-mail: sales@nzinsulators.co.nz



60A REWIRABLE CUTOUT PLUG
WIRED

D233-0505/A