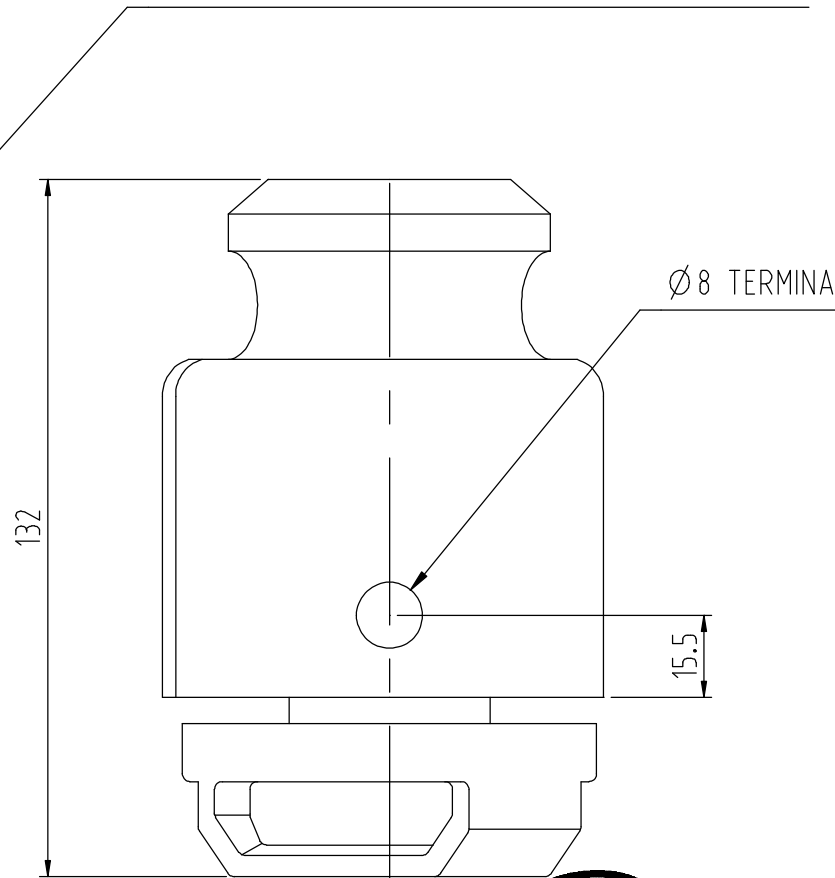
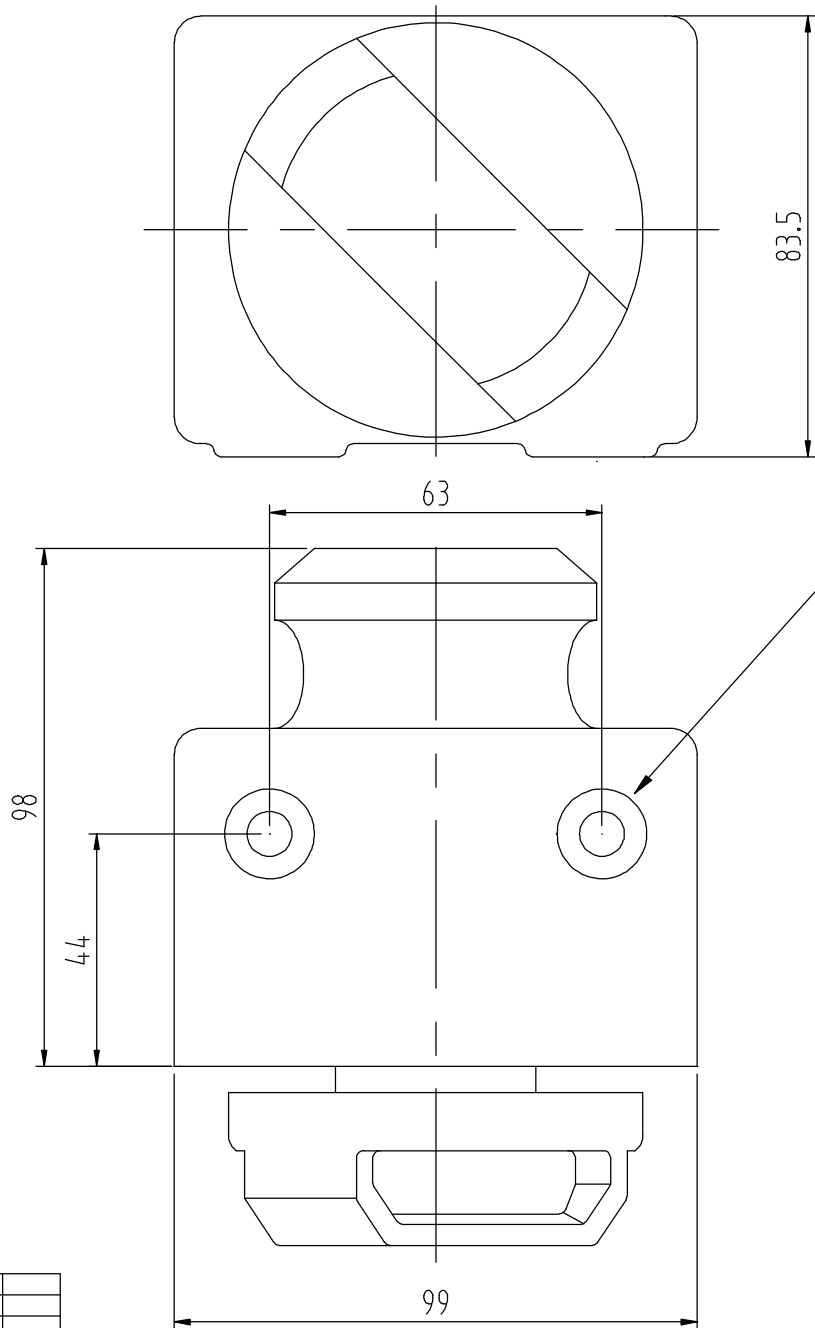


ALL DIMENSIONS IN MILLIMETRES - DO NOT SCALE - IF IN DOUBT PLEASE ASK

UNIT WEIGHT 1.5KG

2 MOUNTING HOLES $\varnothing 8.5$ C'BORE $\varnothing 17 \times 30$ DEEP

$\varnothing 8$ TERMINAL



C	3442	25.7.12
Issue	Mod. No.	Date

Drawn J.Bain Date 9.5.1995  FIRST ANGLE PROJECTION	NEW ZEALAND INSULATORS  TEMUKA	NEW ZEALAND INSULATORS LTD Tel: +64-3-687 8100 Fax: +64-3-615 8125 e-mail: sales@nzinsulators.co.nz
Cat. N° 101 60A REWIRABLE POLE FUSE (CUTOUT)		D233-0501/C