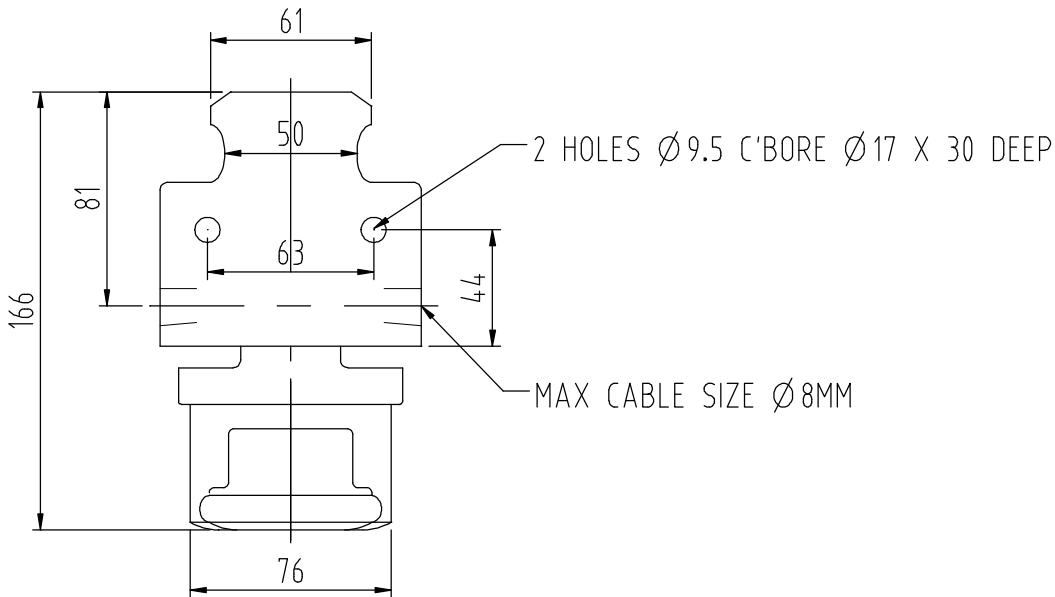
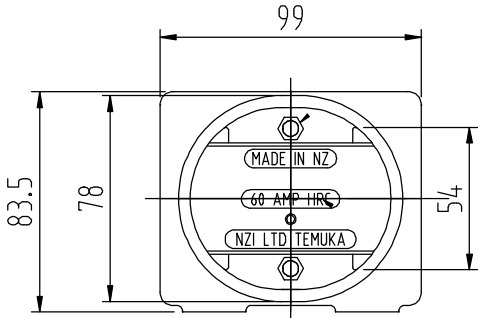


ALL DIMENSIONS IN MILLIMETRES - DO NOT SCALE - IF IN DOUBT PLEASE ASK



UNIT WEIGHT 1.7KG

B	CAD	19.6.12
Issue	Mod. No.	Date

Drawn C. WILSON

Date 23.07.1980



NEW ZEALAND INSULATORS



TEMUKA

NEW ZEALAND INSULATORS LTD
Tel: +64-3-687 8100
Fax: +64-3-615 8125
e-mail: sales@nzinsulators.co.nz

60A HRC CUTOUT COMPLETE

D165-0501/B