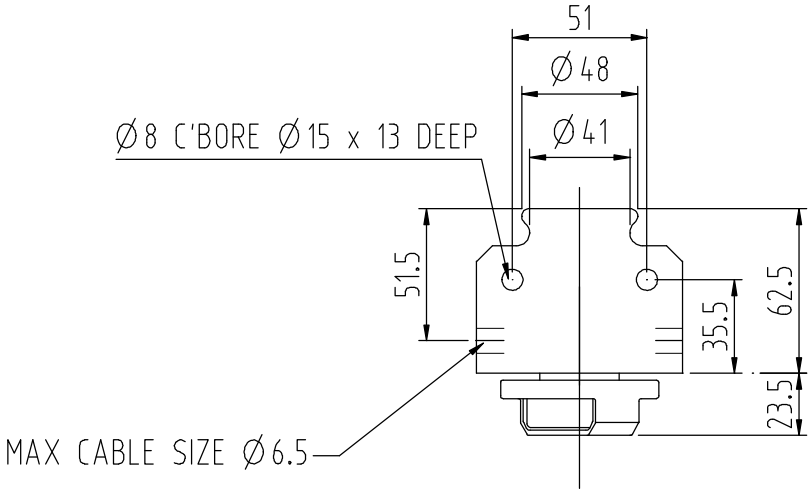
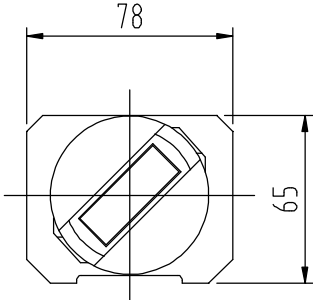


ALL DIMENSIONS IN MILLIMETRES - DO NOT SCALE - IF IN DOUBT PLEASE ASK



UNIT WEIGHT - 620GMS

A	CAD	11.05.12
Issue Mod. No.		Date

Drawn J. UDEN
Date 11.05.2012

NEW ZEALAND INSULATORS



TEMUKA

NEW ZEALAND INSULATORS LTD
Tel: +64-3-687 8100
Fax: +64-3-615 8125
e-mail: sales@nzinsulators.co.nz



30A HRC CUTOUT COMPLETE

D150-0501/A